

Thank you for your interest in **onsemi** products.  
Your technical document begins on the following pages.



## Your Feedback is Important to Us!

Please take a moment to participate in our short survey.  
At **onsemi**, we are dedicated to delivering technical content that best meets your needs.

### [Help Us Improve – Take the Survey](#)

This survey is intended to collect your feedback, capture any issues you may encounter, and to provide improvements you would like to suggest.

**We look forward to your feedback.**

To learn more about **onsemi**, please visit our website at  
[www.onsemi.com](http://www.onsemi.com)

**onsemi** and **onsemi** and other names, marks, and brands are registered and/or common law trademarks of Semiconductor Components Industries, LLC dba "**onsemi**" or its affiliates and/or subsidiaries in the United States and/or other countries. **onsemi** owns the rights to a number of patents, trademarks, copyrights, trade secrets, and other intellectual property. A listing of **onsemi** product/patent coverage may be accessed at [www.onsemi.com/site/pdf/Patent-Marking.pdf](http://www.onsemi.com/site/pdf/Patent-Marking.pdf). **onsemi** reserves the right to make changes at any time to any products or information herein, without notice. The information herein is provided "as-is" and **onsemi** makes no warranty, representation or guarantee regarding the accuracy of the information, product features, availability, functionality, or suitability of its products for any particular purpose, nor does **onsemi** assume any liability arising out of the application or use of any product or circuit, and specifically disclaims any and all liability, including without limitation special, consequential or incidental damages. Buyer is responsible for its products and applications using **onsemi** products, including compliance with all laws, regulations and safety requirements or standards, regardless of any support or applications information provided by **onsemi**. "Typical" parameters which may be provided in **onsemi** data sheets and/or specifications can and do vary in different applications and actual performance may vary over time. All operating parameters, including "Typicals" must be validated for each customer application by customer's technical experts. **onsemi** does not convey any license under any of its intellectual property rights nor the rights of others. **onsemi** products are not designed, intended, or authorized for use as a critical component in life support systems or any FDA Class 3 medical devices or medical devices with a same or similar classification in a foreign jurisdiction or any devices intended for implantation in the human body. Should Buyer purchase or use **onsemi** products for any such unintended or unauthorized application, Buyer shall indemnify and hold **onsemi** and its officers, employees, subsidiaries, affiliates, and distributors harmless against all claims, costs, damages, and expenses, and reasonable attorney fees arising out of, directly or indirectly, any claim of personal injury or death associated with such unintended or unauthorized use, even if such claim alleges that **onsemi** was negligent regarding the design or manufacture of the part. **onsemi** is an Equal Opportunity/Affirmative Action Employer. This literature is subject to all applicable copyright laws and is not for resale in any manner. Other names and brands may be claimed as the property of others.

# Gate Drivers, High-Speed, Low-Side, Single 9-A

## FAN3121, FAN3122

### Description

The FAN3121 and FAN3122 MOSFET drivers are designed to drive N-channel enhancement MOSFETs in low-side switching applications by providing high peak current pulses. The drivers are available with either TTL input thresholds (FAN312xT) or  $V_{DD}$ -proportional CMOS input thresholds (FAN312xC). Internal circuitry provides an under-voltage lockout function by holding the output low until the supply voltage is within the operating range.

FAN312x drivers incorporate the MillerDrive™ architecture for the final output stage. This bipolar / MOSFET combination provides the highest peak current during the Miller plateau stage of the MOSFET turn-on / turn-off process.

The FAN3121 and FAN3122 drivers implement an enable function on pin 3 (EN), previously unused in the industry-standard pin-out. The pin is internally pulled up to  $V_{DD}$  for active HIGH logic and can be left open for standard operation.

The commercial FAN3121/22 is available in a 3x3 mm 8-lead thermally-enhanced MLP package or an 8-lead SOIC package with the option for an exposed pad.

### Features

- Industry-Standard Pin-out with Enable Input
- 4.5-V to 18-V Operating Range
- 11.4 A Peak Sink at  $V_{DD} = 12\text{ V}$
- 9.7-A Sink / 7.1-A Source at  $V_{OUT} = 6\text{ V}$
- Inverting Configuration (FAN3121) and
- Non-Inverting Configuration (FAN3122)
- Internal Resistors Turn Driver Off if No Inputs
- 23-ns / 19-ns Typical Rise/Fall Times (10 nF Load)
- 18 ns to 23 ns Typical Propagation Delay Time
- Choice of TTL or CMOS Input Thresholds
- MillerDrive Technology
- Available in Thermally Enhanced 3x3 mm 8-Lead
- MLP or 8-Lead SOIC Package (Pb-Free Finish)
- Rated from  $-40^{\circ}\text{C}$  to  $+125^{\circ}\text{C}$
- These are Pb-Free Devices

### Applications

- Synchronous Rectifier Circuits
- High-Efficiency MOSFET Switching
- Switch-Mode Power Supplies
- DC-to-DC Converters
- Motor Control

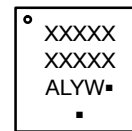


WDFN8 3x3, 0.65P  
 CASE 511CD

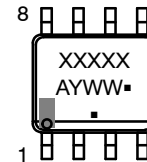


SOIC8  
 CASE 751EB

### MARKING DIAGRAM



WDFN8



SOIC8

- A = Assembly Location
- L = Wafer Lot
- Y = Year
- W = Work Week
- = Pb-Free Package

(Note: Microdot may be in either location)

\*This information is generic. Please refer to device data sheet for actual part marking. Pb-Free indicator, "G" or microdot "▪", may or may not be present.

### ORDERING INFORMATION

See detailed ordering and shipping information on page 17 of this data sheet.

# FAN3121, FAN3122

## PIN CONFIGURATIONS

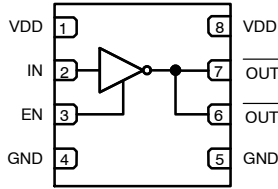


Figure 1. FAN3121 Pin Configuration

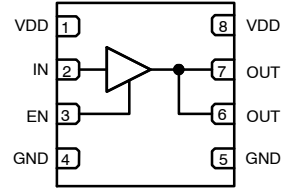


Figure 2. FAN3122 Pin Configuration

## PACKAGE OUTLINES

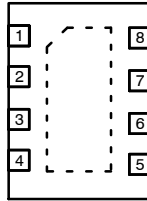


Figure 3. 3x3 mm MLP-8 (Top View)

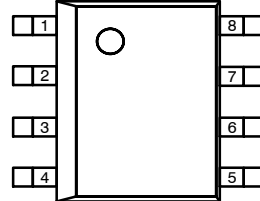


Figure 4. SOIC-8 (Top View)

## THERMAL CHARACTERISTICS (Note 1)

| Package                                       | $\theta_{JL}$<br>(Note 2) | $\theta_{JT}$<br>(Note 3) | $\theta_{JA}$<br>(Note 4) | $\Psi_{JB}$<br>(Note 5) | $\Psi_{JT}$<br>(Note 6) | Unit |
|---|---------------------------|---------------------------|---------------------------|-------------------------|-------------------------|------|
| 8-Lead 3x3 mm Molded Leadless Package (MLP)   | 1.2                       | 64                        | 42                        | 2.8                     | 0.7                     | °C/W |
| 8-Pin Small Outline Integrated Circuit (SOIC) | 38                        | 29                        | 87                        | 41                      | 2.3                     | °C/W |

1. Estimates derived from thermal simulation; actual values depend on the application.
2.  $\theta_{JL}$  ( $\theta_{JL}$ ): Thermal resistance between the semiconductor junction and the bottom surface of all the leads (including any thermal pad) that are typically soldered to a PCB.
3.  $\theta_{JT}$  ( $\theta_{JT}$ ): Thermal resistance between the semiconductor junction and the top surface of the package, assuming it is held at a uniform temperature by a top-side heatsink.
4.  $\theta_{JA}$  ( $\theta_{JA}$ ): Thermal resistance between junction and ambient, dependent on the PCB design, heat sinking, and airflow. The value given is for natural convection with no heatsink using a 2S2P board, as specified in JEDEC standards JESD51-2, JESD51-5, and JESD51-7, as appropriate.
5.  $\Psi_{JB}$  ( $\Psi_{JB}$ ): Thermal characterization parameter providing correlation between semiconductor junction temperature and an application circuit board reference point for the thermal environment defined in Note 4. For the MLP-8 package, the board reference is defined as the PCB copper connected to the thermal pad and protruding from either end of the package. For the SOIC-8 package, the board reference is defined as the PCB copper adjacent to pin 6.
6.  $\Psi_{JT}$  ( $\Psi_{JT}$ ): Thermal characterization parameter providing correlation between the semiconductor junction temperature and the center of the top of the package for the thermal environment defined in Note 4.

# FAN3121, FAN3122

## PIN DEFINITIONS

| FAN3121 | FAN3122 | Name                    | Description  |
|---------|---------|-------------------------|--|
| 3       | 3       | EN                      | <i>Enable Input.</i> Pull pin LOW to inhibit driver. EN has logic thresholds for both TTL and CMOS IN thresholds.  |
| 4, 5    | 4, 5    | GND                     | <i>Ground.</i> Common ground reference for input and output circuits.  |
| 2       | 2       | IN                      | <i>Input.</i>  |
|         | 6, 7    | OUT                     | <i>Gate Drive Output.</i> Held LOW unless required input is present and $V_{DD}$ is above the UVLO threshold.  |
| 6, 7    |         | $\overline{\text{OUT}}$ | <i>Gate Drive Output (inverted from the input).</i> Held LOW unless required input is present and $V_{DD}$ is above the UVLO threshold.  |
| 1, 8    | 1, 8    | $V_{DD}$                | <i>Supply Voltage.</i> Provides power to the IC.   |
|         |         | P1                      | <i>Thermal Pad (MLP only).</i> Exposed metal on the bottom of the package; it is recommended to connect externally on the PCB the Exposed Pad together with the Ground. NOT suitable for carrying current. |

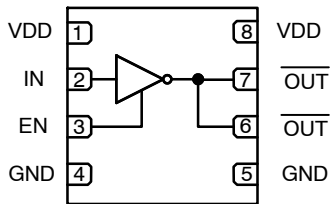


Figure 5. FAN3121 Pin Assignments (Repeated)

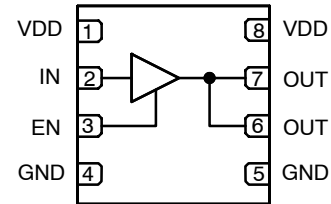


Figure 6. FAN3122 Pin Assignments (Repeated)

## OUTPUT LOGIC

| FAN3121    |            |     |
|------------|------------|-----|
| EN         | IN         | OUT |
| 0          | 0          | 0   |
| 0          | 1 (Note 7) | 0   |
| 1 (Note 7) | 0          | 1   |
| 1 (Note 7) | 1 (Note 7) | 0   |

| FAN3122    |            |     |
|------------|------------|-----|
| EN         | IN         | OUT |
| 0          | 0 (Note 7) | 0   |
| 0          | 1          | 0   |
| 1 (Note 7) | 0 (Note 7) | 0   |
| 1 (Note 7) | 1          | 1   |

7. Default input signal if no external connection is made.

# FAN3121, FAN3122

## BLOCK DIAGRAM

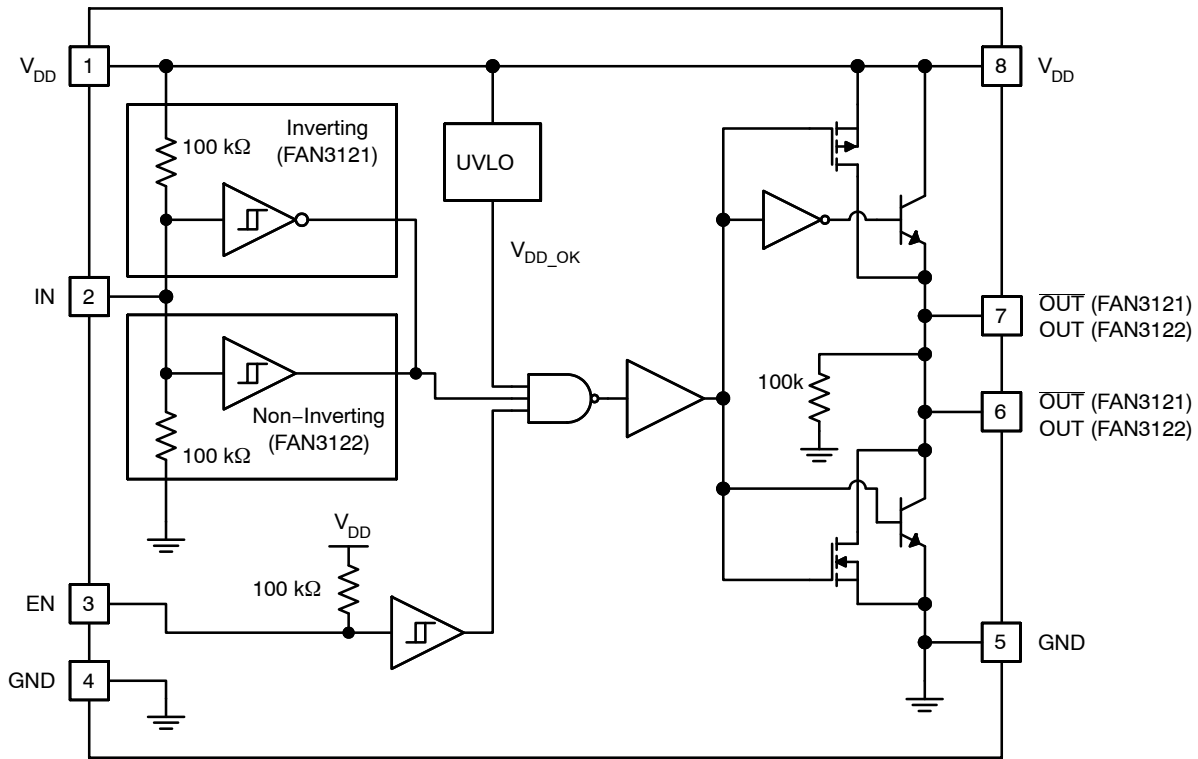


Figure 7. Block Diagram

### ABSOLUTE MAXIMUM RATINGS

| Symbol    | Parameter                               | Min       | Max            | Unit |
|-----------|---|-----------|----------------|------|
| $V_{DD}$  | $V_{DD}$ to GND                         | -0.3      | 20.0           | V    |
| $V_{EN}$  | EN to GND                               | GND - 0.3 | $V_{DD} + 0.3$ | V    |
| $V_{IN}$  | IN to GND                               | GND - 0.3 | $V_{DD} + 0.3$ | V    |
| $V_{OUT}$ | OUT to GND                              | GND - 0.3 | $V_{DD} + 0.3$ | V    |
| $T_L$     | Lead Soldering Temperature (10 Seconds) | -         | +260           | °C   |
| $T_J$     | Junction Temperature                    | -55       | +150           | °C   |
| $T_{STG}$ | Storage Temperature                     | -65       | +150           | °C   |

Stresses exceeding those listed in the Maximum Ratings table may damage the device. If any of these limits are exceeded, device functionality should not be assumed, damage may occur and reliability may be affected.

### RECOMMENDED OPERATING CONDITIONS

| Symbol   | Parameter                     | Min | Max      | Unit |
|----------|-------------------------------|-----|----------|------|
| $V_{DD}$ | Supply Voltage Range          | 4.5 | 18.0     | V    |
| $V_{EN}$ | Enable Voltage EN             | 0   | $V_{DD}$ | V    |
| $V_{IN}$ | Input Voltage IN              | 0   | $V_{DD}$ | V    |
| $T_A$    | Operating Ambient Temperature | -40 | +125     | °C   |

Functional operation above the stresses listed in the Recommended Operating Ranges is not implied. Extended exposure to stresses beyond the Recommended Operating Ranges limits may affect device reliability.

# FAN3121, FAN3122

**ELECTRICAL CHARACTERISTICS** ( $V_{DD} = 12\text{ V}$  and  $T_J = -40^\circ\text{C}$  to  $+125^\circ\text{C}$  unless otherwise noted. Currents are defined as positive into the device and negative out of the device.)

| Symbol | Parameter | Test Condition | Min | Typ | Max | Unit |
|--------|-----------|----------------|-----|-----|-----|------|
|--------|-----------|----------------|-----|-----|-----|------|

## SUPPLY

|           |   |               |      |      |      |    |
|-----------|---|---------------|------|------|------|----|
| $V_{DD}$  | Operating Range                           |               | 4.5  | –    | 18.0 | V  |
| $I_{DD}$  | Supply Current, Inputs / EN Not Connected | TTL           | –    | 0.65 | 0.90 | mA |
|           |   | CMOS (Note 8) | –    | 0.58 | 0.85 |    |
| $V_{ON}$  | Device Turn-On Voltage (UVLO)             |               | 3.5  | 4.0  | 4.3  | V  |
| $V_{OFF}$ | Device Turn-Off Voltage (UVLO)            |               | 3.30 | 3.75 | 4.10 | V  |

## INPUTS (TTL, FAN312XT) (Note 9)

|              |                              |  |      |      |      |   |
|--------------|------------------------------|--|------|------|------|---|
| $V_{IL\_T}$  | INx Logic Low Threshold      |  | 0.8  | 1.0  | –    | V |
| $V_{IH\_T}$  | INx Logic High Threshold     |  | –    | 1.7  | 2.0  | V |
| $V_{HYS\_T}$ | TTL Logic Hysteresis Voltage |  | 0.40 | 0.70 | 0.85 | V |

## FAN3121TMX, FAN3122TMX

|           |                             |                       |      |   |     |               |
|-----------|-----------------------------|-----------------------|------|---|-----|---------------|
| $I_{IN+}$ | Non-Inverting Input Current | IN from 0 to $V_{DD}$ | –1   | – | 175 | $\mu\text{A}$ |
| $I_{IN-}$ | Inverting Input Current     | IN from 0 to $V_{DD}$ | –175 | – | 1   | $\mu\text{A}$ |

## INPUTS (CMOS, FAN312xC) (Note 9)

|              |                               |  |    |    |    |            |
|--------------|-------------------------------|--|----|----|----|------------|
| $V_{IL\_C}$  | INx Logic Low Threshold       |  | 30 | 38 | –  | $\%V_{DD}$ |
| $V_{IH\_C}$  | INx Logic High Threshold      |  | –  | 55 | 70 | $\%V_{DD}$ |
| $V_{HYS\_C}$ | CMOS Logic Hysteresis Voltage |  | 12 | 17 | 24 | $\%V_{DD}$ |

## FAN3121CMX, FAN3122CMX

|           |                             |                       |      |   |     |               |
|-----------|-----------------------------|-----------------------|------|---|-----|---------------|
| $I_{IN+}$ | Non-Inverting Input Current | IN from 0 to $V_{DD}$ | –1   | – | 175 | $\mu\text{A}$ |
| $I_{IN-}$ | Inverting Input Current     | IN from 0 to $V_{DD}$ | –175 | – | 1   | $\mu\text{A}$ |

## ENABLE (FAN3121, FAN3122)

|                  |                                      |                    |     |     |     |                  |
|------------------|--------------------------------------|--------------------|-----|-----|-----|------------------|
| $V_{ENL}$        | Enable Logic Low Threshold           | EN from 5 V to 0 V | 1.2 | 1.6 | 2.0 | V                |
| $V_{ENH}$        | Enable Logic High Threshold          | EN from 0 V to 5 V | 1.8 | 2.2 | 2.6 | V                |
| $V_{HYS\_T}$     | TTL Logic Hysteresis Voltage         |                    | 0.2 | 0.6 | 0.8 | V                |
| $R_{PU}$         | Enable Pull-up Resistance            |                    | 68  | 100 | 134 | $\text{k}\Omega$ |
| $t_{D1}, t_{D2}$ | Propagation Delay, CMOS EN (Note 10) |                    | 8   | 17  | 27  | ns               |
| $t_{D1}, t_{D2}$ | Propagation Delay, TTL EN (Note 10)  |                    | 14  | 21  | 33  | ns               |

## OUTPUTS

|                  |   |   |      |      |    |    |
|------------------|---|---|------|------|----|----|
| $I_{SINK}$       | OUT Current, Mid-Voltage, Sinking (Note 11)     | OUT at $V_{DD} / 2$ , $C_{LOAD} = 1.0\ \mu\text{F}$ , $f = 1\ \text{kHz}$ | –    | 9.7  | –  | A  |
| $I_{SOURCE}$     | OUT Current, Mid-Voltage, Sourcing (Note 11)    | OUT at $V_{DD} / 2$ , $C_{LOAD} = 1.0\ \mu\text{F}$ , $f = 1\ \text{kHz}$ | –    | 7.1  | –  | A  |
| $I_{PK\_SINK}$   | OUT Current, Peak, Sinking (Note 11)            | $C_{LOAD} = 1.0\ \mu\text{F}$ , $f = 1\ \text{kHz}$                       | –    | 11.4 | –  | A  |
| $I_{PK\_SOURCE}$ | OUT Current, Peak, Sourcing (Note 11)           | $C_{LOAD} = 1.0\ \mu\text{F}$ , $f = 1\ \text{kHz}$                       | –    | 10.6 | –  | A  |
| $t_{RISE}$       | Output Rise Time (Note 10)                      | $C_{LOAD} = 10\ \text{nF}$  | 18   | 23   | 29 | ns |
| $t_{FALL}$       | Output Fall Time (Note 10)                      | $C_{LOAD} = 10\ \text{nF}$  | 11   | 19   | 27 | ns |
| $t_{D1}, t_{D2}$ | Output Propagation Delay, CMOS Inputs (Note 10) | 0 – 12 $V_{IN}$ , 1 V/ns Slew Rate  | 9    | 18   | 28 | ns |
| $t_{D1}, t_{D2}$ | Output Propagation Delay, TTL Inputs (Note 10)  | 0 – 5 $V_{IN}$ , 1 V/ns Slew Rate   | 9    | 23   | 35 | ns |
| $I_{RVS}$        | Output Reverse Current Withstand (Note 11)      |   | 1500 | –    | –  | mA |

8. Lower supply current due to inactive TTL circuitry.

9. EN inputs have modified TTL thresholds; refer to the ENABLE section.

10. See Timing Diagrams of Figure 8 and Figure 9.

11. Not tested in production.

# FAN3121, FAN3122

## TIMING DIAGRAMS

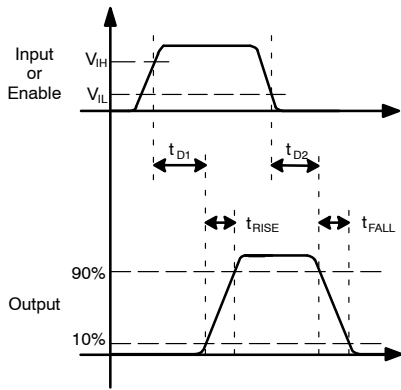


Figure 8. Non-Inverting

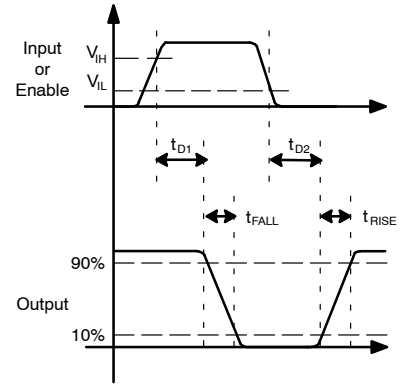


Figure 9. Inverting

# FAN3121, FAN3122

## TYPICAL PERFORMANCE CHARACTERISTICS

(Typical characteristics are provided at 25°C and V<sub>DD</sub> = 12 V unless otherwise noted)

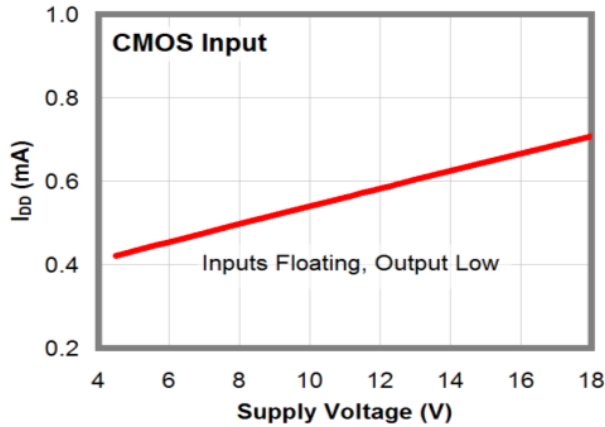


Figure 10. I<sub>DD</sub> (Static) vs. Supply Voltage (Note 12)

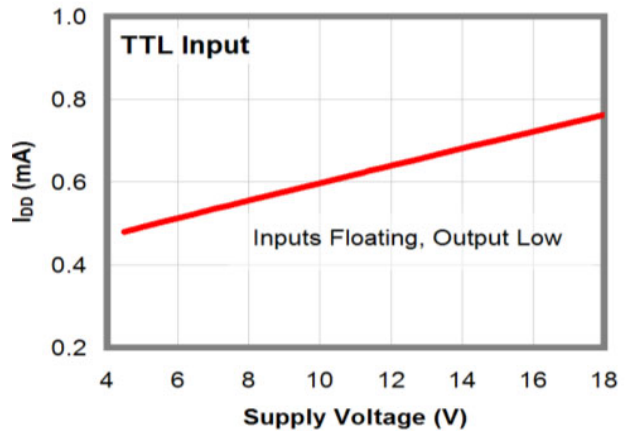


Figure 11. I<sub>DD</sub> (Static) vs. Supply Voltage (Note 12)

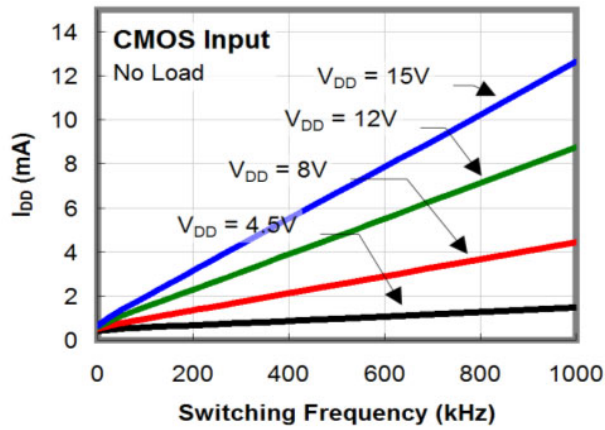


Figure 12. I<sub>DD</sub> (No-Load) vs. Frequency

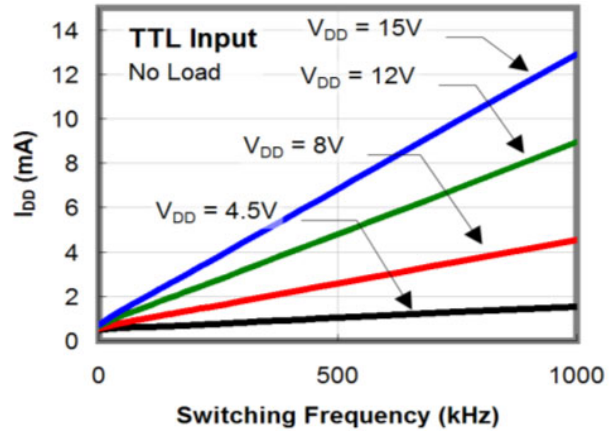


Figure 13. I<sub>DD</sub> (No-Load) vs. Frequency

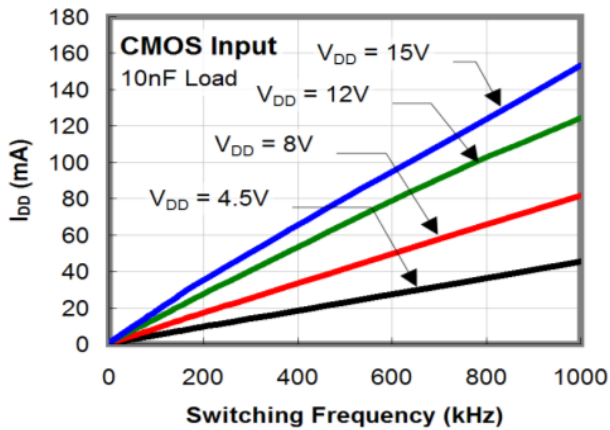


Figure 14. I<sub>DD</sub> (10 nF Load) vs. Frequency

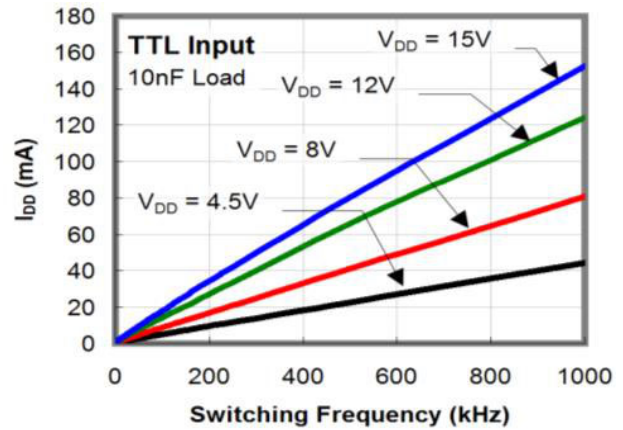


Figure 15. I<sub>DD</sub> (10 nF Load) vs. Frequency



TYPICAL PERFORMANCE CHARACTERISTICS

(Typical characteristics are provided at 25°C and VDD = 12 V unless otherwise noted) (continued)

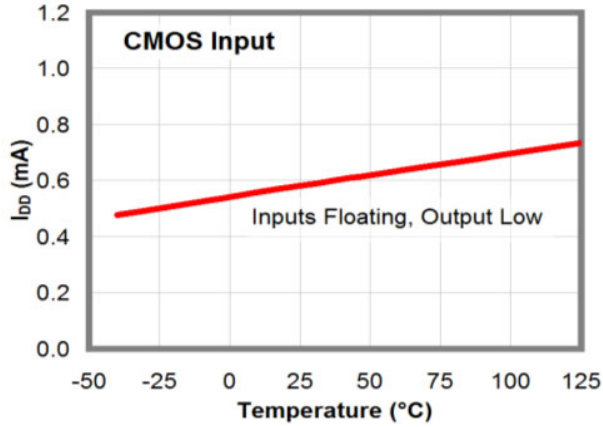


Figure 16. I<sub>DD</sub> (Static) vs. Temperature (Note 12)

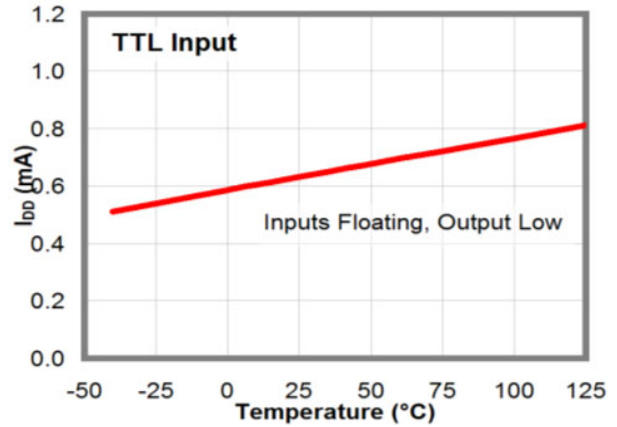


Figure 17. I<sub>DD</sub> (Static) vs. Temperature (Note 12)

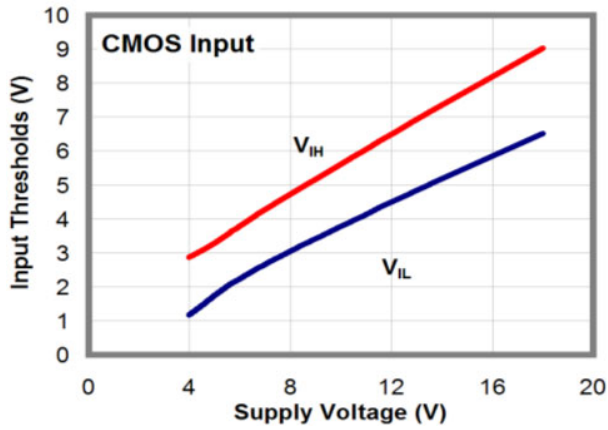


Figure 18. Input Thresholds vs. Supply Voltage

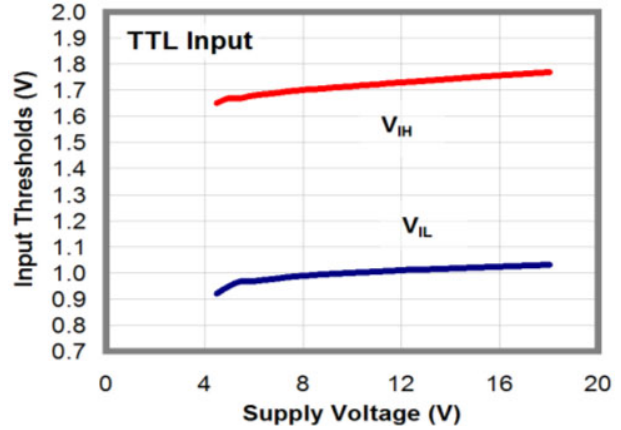


Figure 19. Input Thresholds vs. Supply Voltage

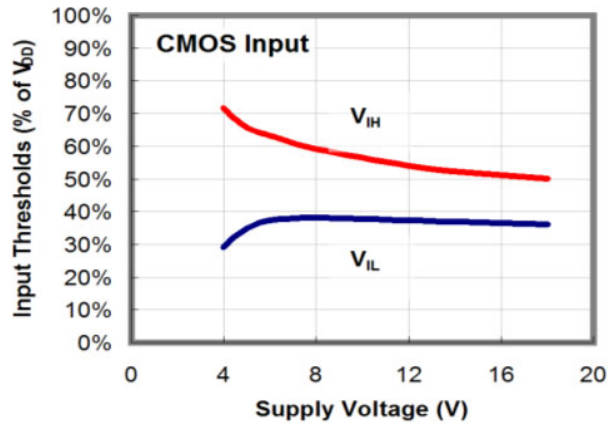


Figure 20. Input Thresholds % vs. Supply Voltage

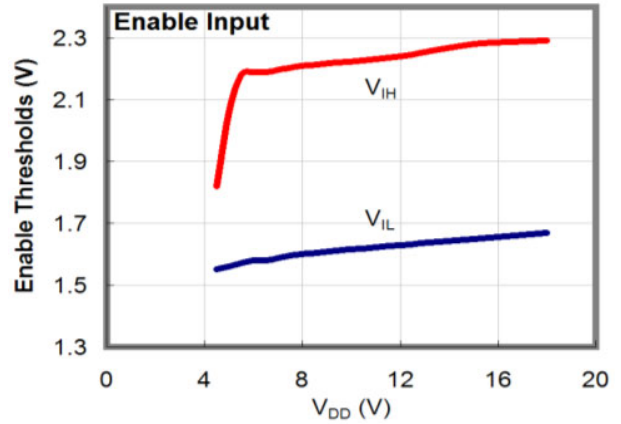


Figure 21. Enable Thresholds vs. Supply Voltage

TYPICAL PERFORMANCE CHARACTERISTICS

(Typical characteristics are provided at 25°C and VDD = 12 V unless otherwise noted) (continued)

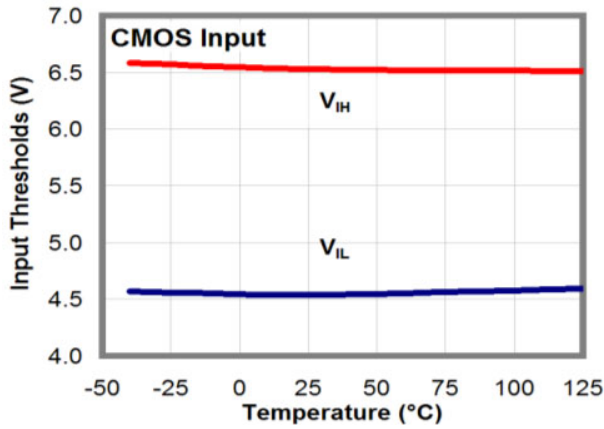


Figure 22. CMOS Input Thresholds vs. Temperature

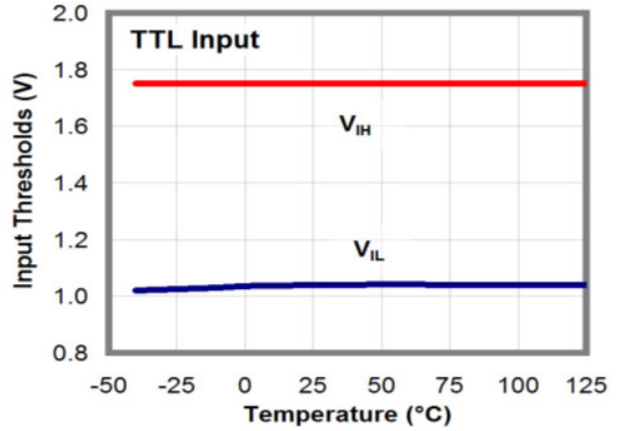


Figure 23. TTL Input Thresholds vs. Temperature

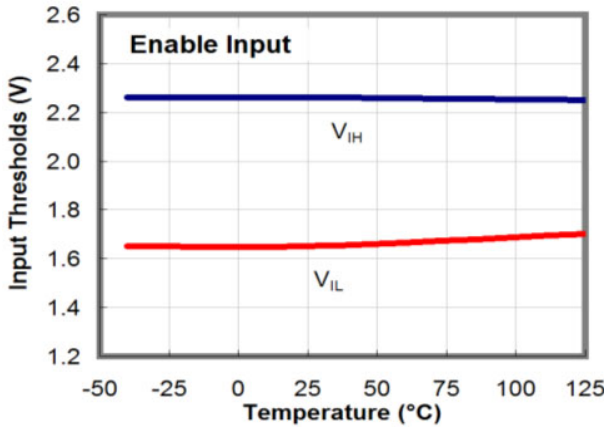


Figure 24. TTL Input Thresholds vs. Temperature

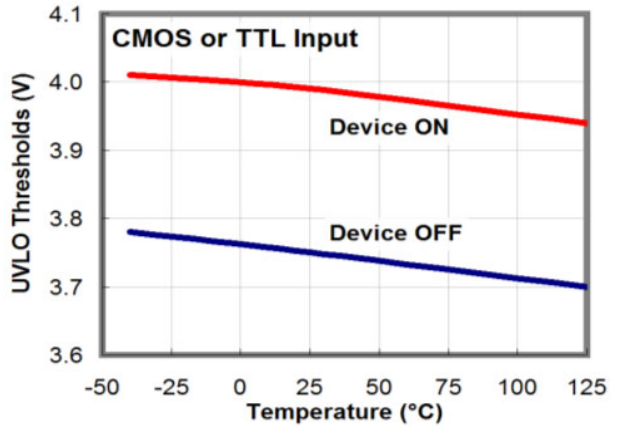


Figure 25. UVLO Thresholds vs. Temperature

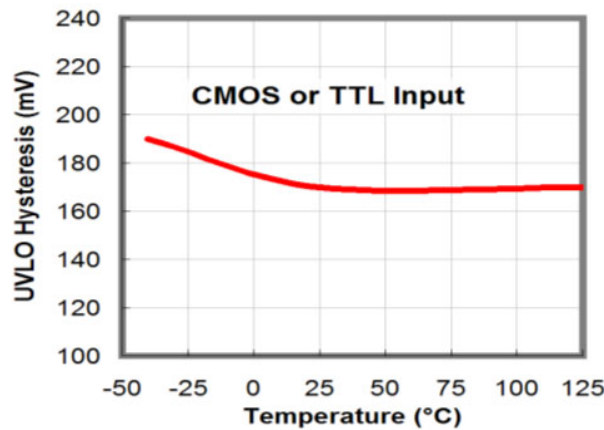


Figure 26. UVLO Hysteresis vs. Temperature

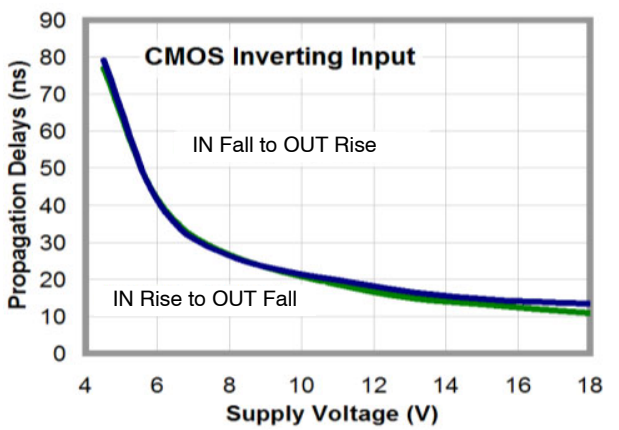


Figure 27. Propagation Delay vs. Supply Voltage

TYPICAL PERFORMANCE CHARACTERISTICS

(Typical characteristics are provided at 25°C and VDD = 12 V unless otherwise noted) (continued)

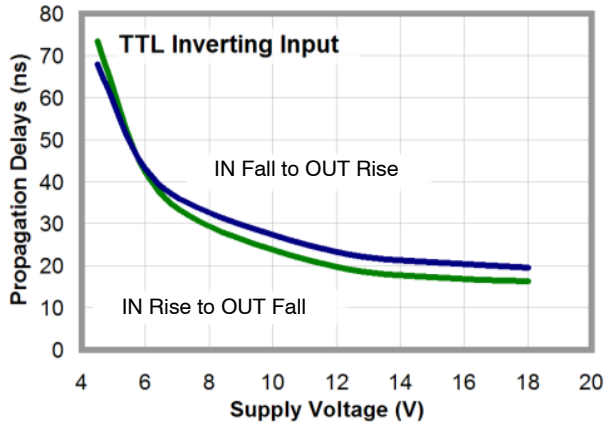


Figure 28. Propagation Delay vs. Supply Voltage

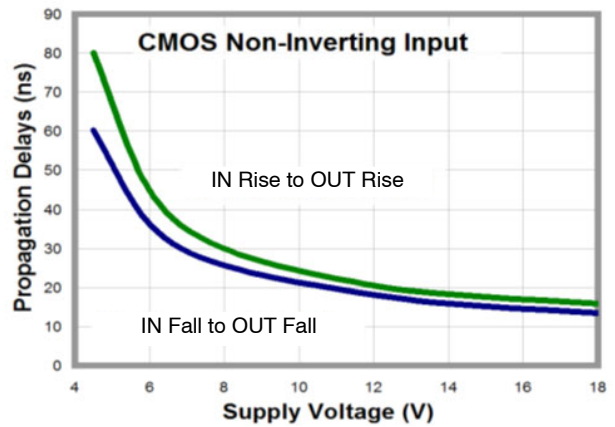


Figure 29. Propagation Delay vs. Supply Voltage

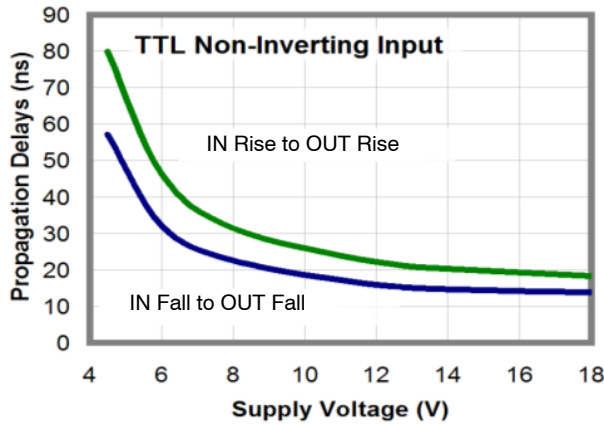


Figure 30. Propagation Delay vs. Supply Voltage

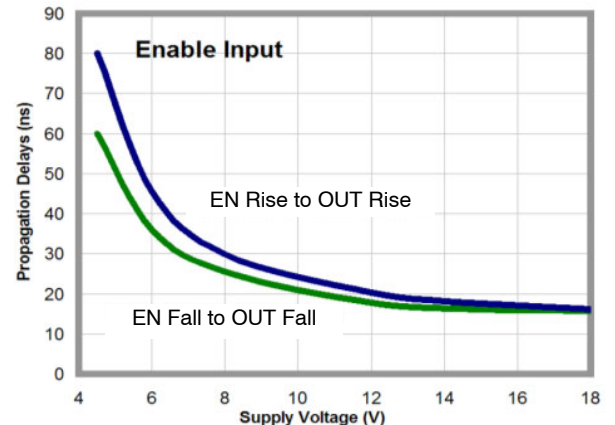


Figure 31. Propagation Delay vs. Supply Voltage

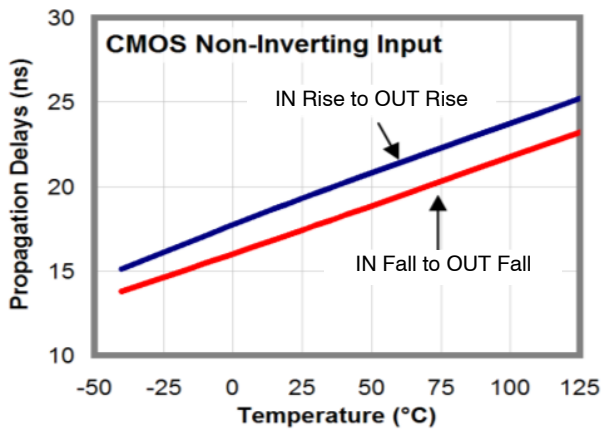


Figure 32. Propagation Delays vs. Temperature

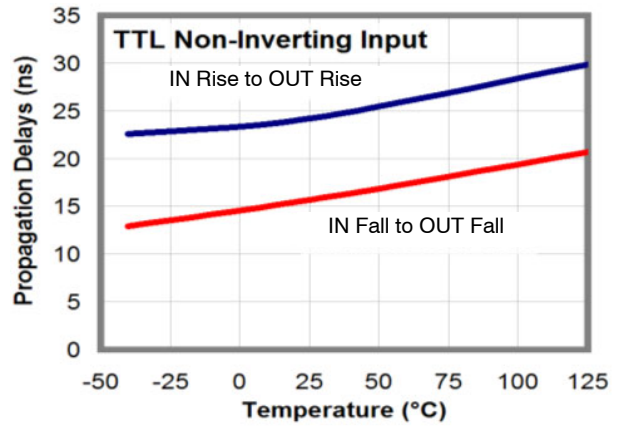


Figure 33. Propagation Delays vs. Temperature

# FAN3121, FAN3122

## TYPICAL PERFORMANCE CHARACTERISTICS

(Typical characteristics are provided at 25°C and VDD = 12 V unless otherwise noted) (continued)

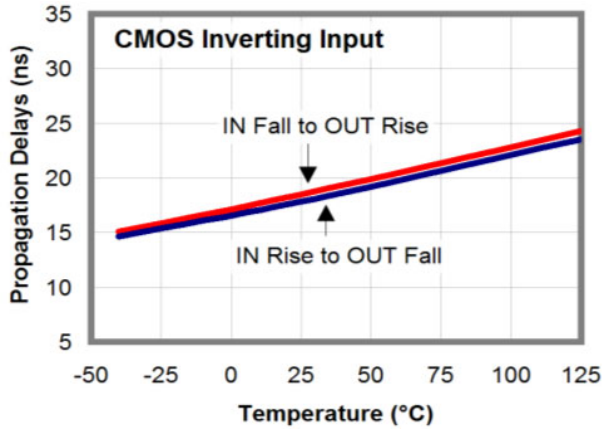


Figure 34. Propagation Delays vs. Temperature

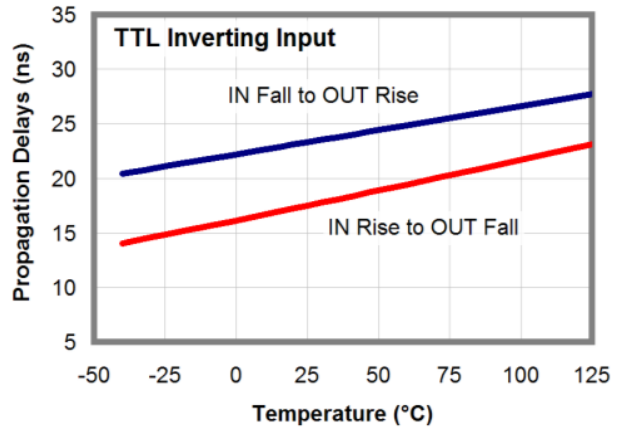


Figure 35. Propagation Delays vs. Temperature

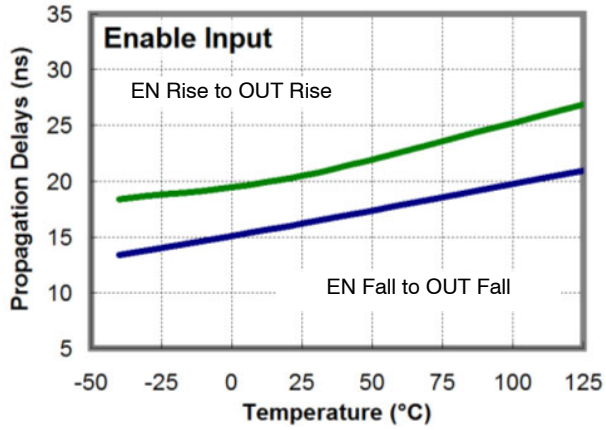


Figure 36. Propagation Delays vs. Temperature

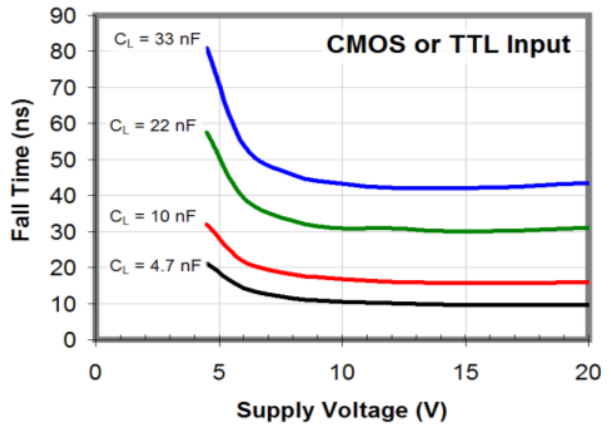


Figure 37. Fall Time vs. Supply Voltage

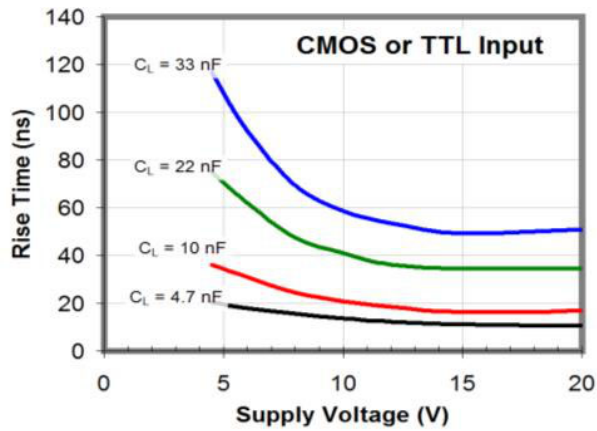


Figure 38. Rise Time vs. Supply Voltage

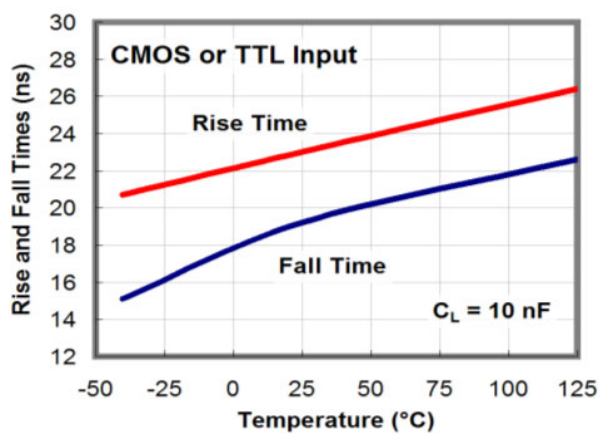


Figure 39. Rise and Fall Time vs. Temperature

# FAN3121, FAN3122

## TYPICAL PERFORMANCE CHARACTERISTICS

(Typical characteristics are provided at 25°C and V<sub>DD</sub> = 12 V unless otherwise noted) (continued)

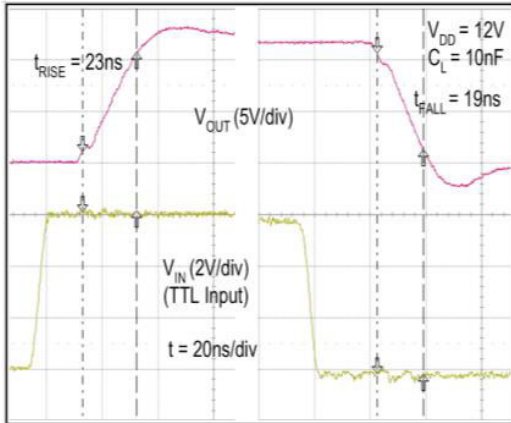


Figure 40. Rise / Fall Waveforms with 10 nF Load

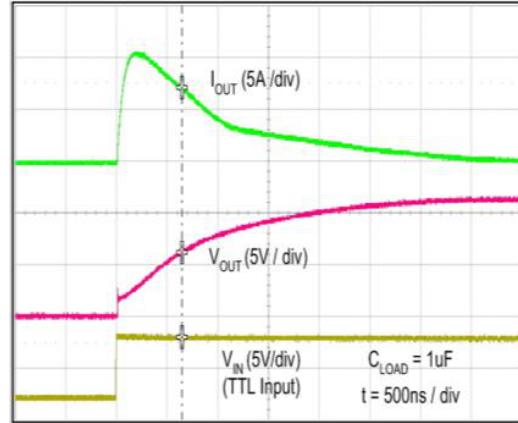


Figure 41. Quasi-Static Source Current with V<sub>DD</sub> = 12 V (Note 13)

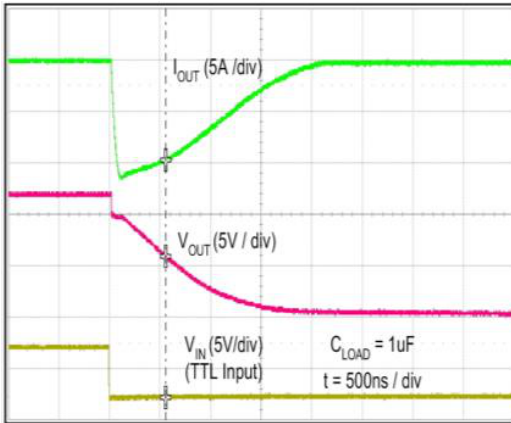


Figure 42. Quasi-Static Sink Current with V<sub>DD</sub> = 12 V (Note 13)

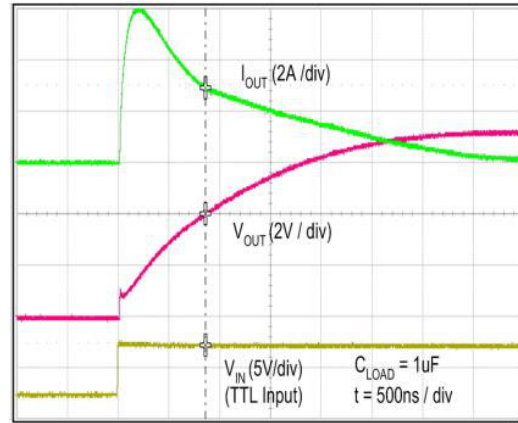


Figure 43. Quasi-Static Source Current with V<sub>DD</sub> = 8 V (Note 13)

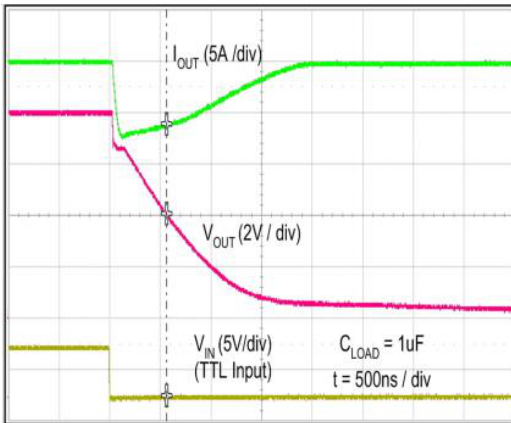


Figure 44. Quasi-Static Sink Current with V<sub>DD</sub> = 8 V (Note 13)

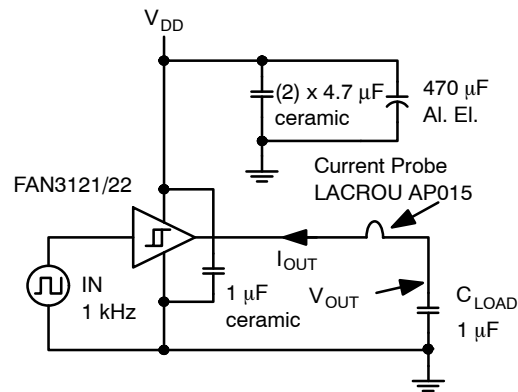


Figure 45. Quasi-Static I<sub>OUT</sub> / V<sub>OUT</sub> Test Circuit

12. For any inverting inputs pulled LOW, non-inverting inputs pulled HIGH, or outputs driven HIGH; static I<sub>DD</sub> increases by the current flowing through the corresponding pull-up/down resistor, shown in Figure 7.

13. The initial spike in each current waveform is a measurement artifact caused by the stray inductance of the current-measurement loop.

APPLICATIONS INFORMATION

The FAN3121 and FAN3122 family offers versions in either TTL or CMOS input configuration. In the FAN3121T and FAN3122T, the input thresholds meet industry-standard TTL-logic thresholds independent of the  $V_{DD}$  voltage, and there is a hysteresis voltage of approximately 0.7 V. These levels permit the inputs to be driven from a range of input logic signal levels for which a voltage over 2 V is considered logic HIGH. The driving signal for the TTL inputs should have fast rising and falling edges with a slew rate of 6 V/ $\mu$ s or faster, so the rise time from 0 to 3.3 V should be 550 ns or less.

The FAN3121 and FAN3122 output can be enabled or disabled using the EN pin with a very rapid response time. If EN is not externally connected, an internal pull-up resistor enables the driver by default. The EN pin has logic thresholds for parts with either TTL or CMOS IN thresholds.

In the FAN3121C and FAN3122C, the logic input thresholds are dependent on the  $V_{DD}$  level and, with  $V_{DD}$  of 12 V, the logic rising edge threshold is approximately 55% of  $V_{DD}$  and the input falling edge threshold is approximately 38% of  $V_{DD}$ . The CMOS input configuration offers a hysteresis voltage of approximately 17% of  $V_{DD}$ . The CMOS inputs can be used with relatively slow edges (approaching DC) if good decoupling and bypass techniques are incorporated in the system design to prevent noise from violating the input voltage hysteresis window. This allows setting precise timing intervals by fitting an R-C circuit between the controlling signal and the IN pin of the driver. The slow rising edge at the IN pin of the driver introduces a delay between the controlling signal and the OUT pin of the driver.

**Static Supply Current**

In the  $I_{DD}$  (static) Typical Performance Characteristics, the curves are produced with all inputs / enables floating (OUT is LOW) and indicates the lowest static  $I_{DD}$  current for the tested configuration. For other states, additional current flows through the 100 k $\Omega$  resistors on the inputs and outputs, as shown in the block diagram (see Figure 7). In these cases, the actual static  $I_{DD}$  current is the value obtained from the curves, plus this additional current.

**MillerDrive Gate-Drive Technology**

FAN312x gate drivers incorporate the MillerDrive architecture shown in Figure 46. For the output stage, a combination of bipolar and MOS devices provide large currents over a wide range of supply voltage and temperature variations. The bipolar devices carry the bulk of the current as OUT swings between 1/3 to 2/3  $V_{DD}$  and the MOS devices pull the output to the HIGH or LOW rail.

The purpose of the Miller Drive architecture is to speed up switching by providing high current during the Miller plateau region when the gate-drain capacitance of the MOSFET is being charged or discharged as part of the turn-on / turn-off process.

For applications with zero voltage switching during the MOSFET turn-on or turn-off interval, the driver supplies high peak current for fast switching, even though the Miller plateau is not present. This situation often occurs in synchronous rectifier applications because the body diode is generally conducting before the MOSFET is switched on.

The output pin slew rate is determined by  $V_{DD}$  voltage and the load on the output. It is not user adjustable, but a series resistor can be added if a slower rise or fall time at the MOSFET gate is needed.

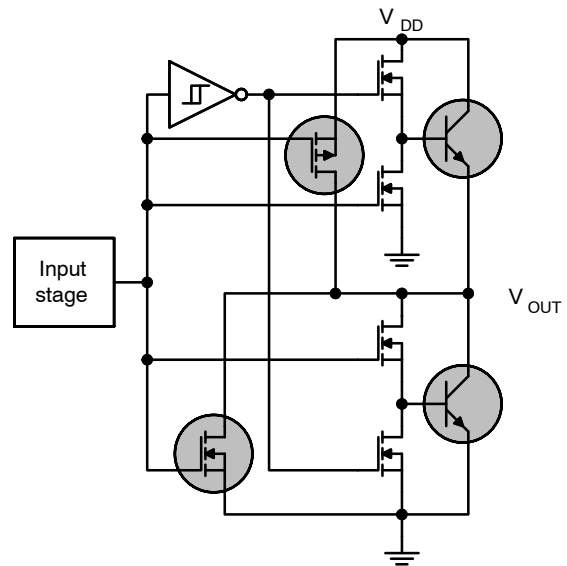


Figure 46. Miller Drive Output Architecture

**Under-Voltage Lockout (UVLO)**

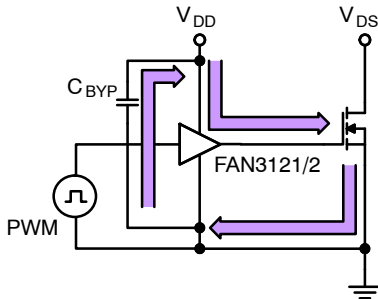
The FAN312x startup logic is optimized to drive ground-referenced N-channel MOSFETs with an under-voltage lockout (UVLO) function to ensure that the IC starts in an orderly fashion. When  $V_{DD}$  is rising, yet below the 4.0 V operational level, this circuit holds the output low, regardless of the status of the input pins. After the part is active, the supply voltage must drop 0.25 V before the part shuts down. This hysteresis helps prevent chatter when low  $V_{DD}$  supply voltages have noise from the power switching. This configuration is not suitable for driving high-side P-channel MOSFETs because the low output voltage of the driver would turn the P-channel MOSFET on with  $V_{DD}$  below 4.0 V.

**V<sub>DD</sub> Bypassing and Layout Considerations**

The FAN3121 and FAN3122 are available in either 8-lead SOIC or MLP packages. In either package, the V<sub>DD</sub> pins 1 and 8 and the GND pins 4 and 5 should be connected together on the PCB.

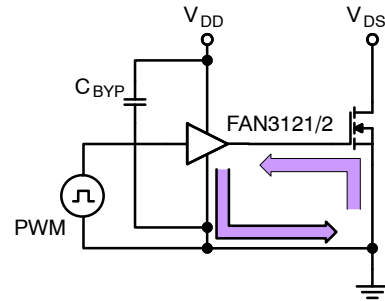
In typical FAN312x gate-driver applications, high-current pulses are needed to charge and discharge the gate of a power MOSFET in time intervals of 50 ns or less. A bypass capacitor with low ESR and ESL should be connected directly between the V<sub>DD</sub> and GND pins to provide these large current pulses without causing unacceptable ripple on the V<sub>DD</sub> supply. To meet these requirements in a small size, a ceramic capacitor of 1 μF or larger is typically used, with a dielectric material such as X7R, to limit the change in capacitance over the temperature and / or voltage application ranges.

Figure 47 shows the pulsed gate drive current path when the gate driver is supplying gate charge to turn the MOSFET on. The current is supplied from the local bypass capacitor C<sub>BYP</sub> and flows through the driver to the MOSFET gate and to ground. To reach the high peak currents possible with the FAN312x family, the resistance and inductance in the path should be minimized. The localized C<sub>BYP</sub> acts to contain the high peak current pulses within this driver-MOSFET circuit, preventing them from disturbing the sensitive analog circuitry in the PWM controller.



**Figure 47. Current Path for MOSFET Turn-On**

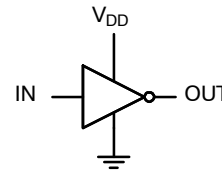
Figure 48 shows the path the current takes when the gate driver turns the MOSFET off. Ideally, the driver shunts the current directly to the source of the MOSFET in a small circuit loop. For fast turn-off times, the resistance and inductance in this path should be minimized.



**Figure 48. Current Path for MOSFET Turn-Off**

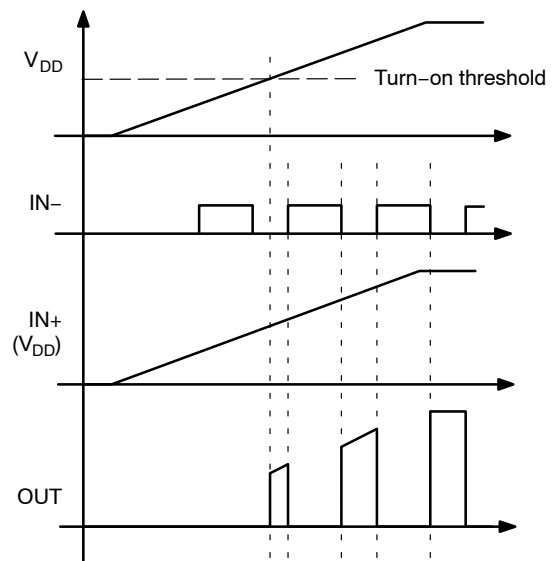
**Operational Waveforms**

At power up, the FAN3121 inverting driver shown in Figure 49 holds the output LOW until the V<sub>DD</sub> voltage reaches the UVLO turn-on threshold, as indicated in Figure 50. This facilitates proper startup control of low-side N-channel MOSFETs.



**Figure 49. Inverting Configuration**

The OUT pulses' magnitude follows V<sub>DD</sub> magnitude with the output polarity inverted from the input until steady-state V<sub>DD</sub> is reached.



**Figure 50. Inverting Startup Waveforms**

At power up, the FAN3122 non-inverting driver, shown in Figure 51, holds the output LOW until the  $V_{DD}$  voltage reaches the UVLO turn-on threshold, as indicated in Figure 52. The OUT pulses magnitude follow  $V_{DD}$  magnitude until steady-state  $V_{DD}$  is reached.

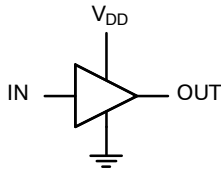


Figure 51. Non-Inverting Driver

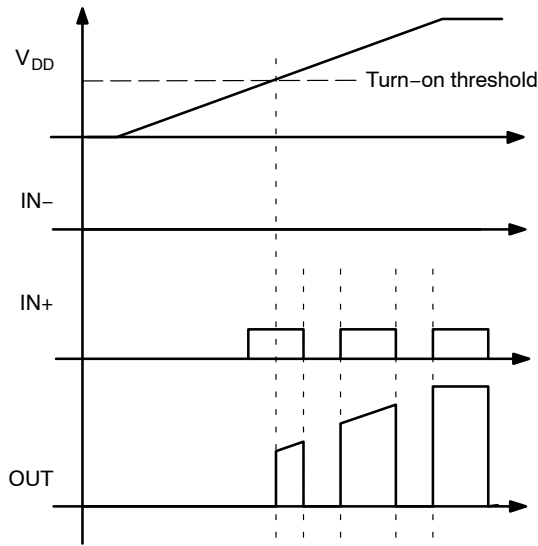


Figure 52. Non-Inverting Startup Waveforms

**Thermal Guidelines**

Gate drivers used to switch MOSFETs and IGBTs at high frequencies can dissipate significant amounts of power. It is important to determine the driver power dissipation and the resulting junction temperature in the application to ensure that the part is operating within acceptable temperature limits.

The total power dissipation in a gate driver is the sum of two components,  $P_{GATE}$  and  $P_{DYNAMIC}$ :

$$P_{TOTAL} = P_{GATE} + P_{DYNAMIC} \quad (eq. 1)$$

**Gate Driving Loss:** The most significant power loss results from supplying gate current (charge per unit time) to switch the load MOSFET on and off at the switching frequency. The power dissipation that results from driving a MOSFET at a specified gate-source voltage,  $V_{GS}$ , with gate charge,  $Q_G$ , at switching frequency,  $f_{SW}$ , is determined by:

$$P_{GATE} = Q_G \cdot V_{GS} \cdot f_{SW} \quad (eq. 2)$$

**Dynamic Pre-drive / Shoot-through Current:** A power loss resulting from internal current consumption under

dynamic operating conditions, including pin pull-up / pull-down resistors, can be obtained using graphs in Typical Performance Characteristics to determine the current  $I_{DYNAMIC}$  drawn from  $V_{DD}$  under actual operating conditions:

$$P_{DYNAMIC} = I_{DYNAMIC} \cdot V_{DD} \quad (eq. 3)$$

Once the power dissipated in the driver is determined, the driver junction rise with respect to circuit board can be evaluated using the following thermal equation, assuming  $\psi_{JB}$  was determined for a similar thermal design (heat sinking and air flow):

$$T_J = P_{TOTAL} \cdot \psi_{JB} + T_B \quad (eq. 4)$$

where:

$T_J$  = driver junction temperature;

$\psi_{JB}$  = (psi) thermal characterization parameter relating temperature rise to total power dissipation; and

$T_B$  = board temperature in location as defined in the [Thermal Characteristics](#) table.

In a full-bridge synchronous rectifier application, shown in Figure 53, each FAN3122 drives a parallel combination of two high-current MOSFETs, (such as FDMS8660S). The typical gate charge for each SR MOSFET is 70 nC with  $V_{GS} = V_{DD} = 9$  V. At a switching frequency of 300 kHz, the total power dissipation is:

$$P_{GATE} = 2 \cdot 70 \text{ nC} \cdot 9 \text{ V} \cdot 300 \text{ kHz} = 0.378 \text{ W} \quad (eq. 5)$$

$$P_{DYNAMIC} = 2 \text{ mA} \cdot 9 \text{ V} = 18 \text{ mW} \quad (eq. 6)$$

$$P_{TOTAL} = 0.396 \text{ W} \quad (eq. 7)$$

The SOIC-8 has a junction-to-board thermal characterization parameter of  $\psi_{JB} = 42^\circ\text{C/W}$ . In a system application, the localized temperature around the device is a function of the layout and construction of the PCB along with airflow across the surfaces. To ensure reliable operation, the maximum junction temperature of the device must be prevented from exceeding the maximum rating of  $150^\circ\text{C}$ ; with 80% derating,  $T_J$  would be limited to  $120^\circ\text{C}$ . Rearranging Equation 4 determines the board temperature required to maintain the junction temperature below  $120^\circ\text{C}$ :

$$T_{B,MAX} = T_J - P_{TOTAL} \cdot \psi_{JB} \quad (eq. 8)$$

$$T_{B,MAX} = 120^\circ\text{C} - 0.396 \text{ W} \cdot 42^\circ\text{C/W} = 104^\circ\text{C} \quad (eq. 9)$$

For comparison, replace the SOIC-8 used in the previous example with the 3x3 mm MLP package with  $\psi_{JB} = 2.8^\circ\text{C/W}$ . The 3x3 mm MLP package can operate at a PCB temperature of  $118^\circ\text{C}$ , while maintaining the junction temperature below  $120^\circ\text{C}$ . This illustrates that the physically smaller MLP package with thermal pad offers a more conductive path to remove the heat from the driver. Consider tradeoffs between reducing overall circuit size with junction temperature reduction for increased reliability.



Typical Application Diagrams

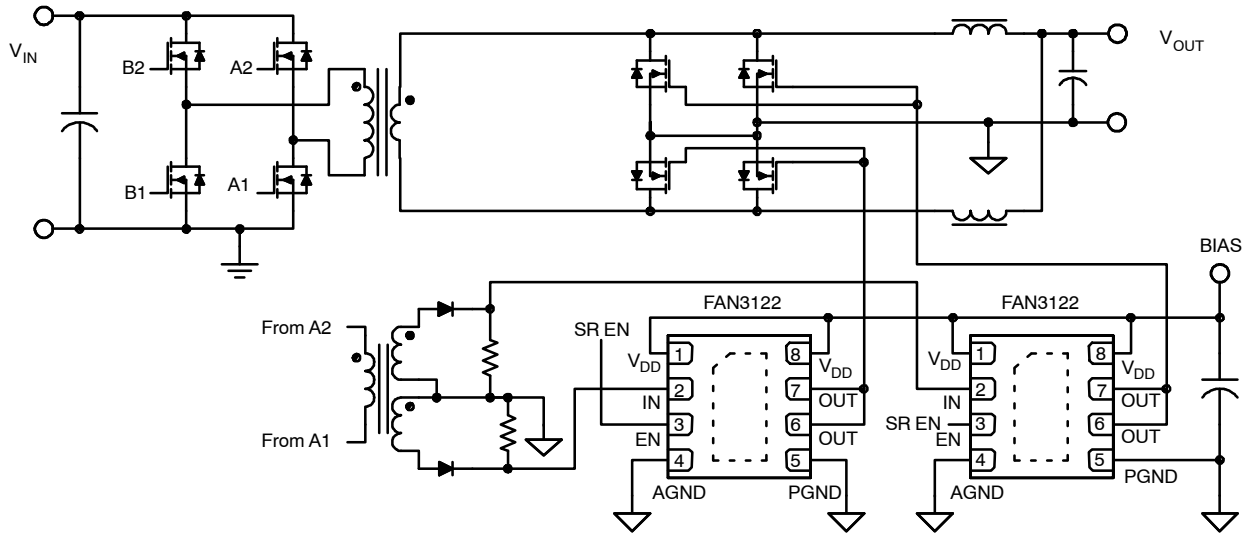


Figure 53. Full-Bridge Synchronous Rectification

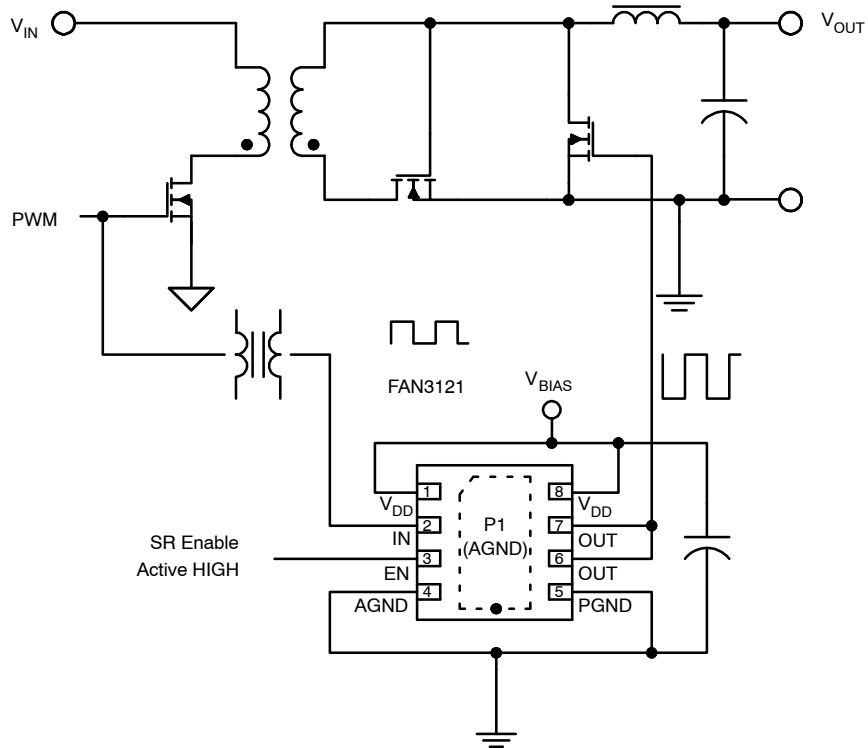


Figure 54. Hybrid Synchronous Rectification in a Forward Converter

## FAN3121, FAN3122

### ORDERING INFORMATION

| Part Number | Logic                           | Input Threshold | Package      | Shipping <sup>†</sup> |
|-------------|---------------------------------|-----------------|--------------|-----------------------|
| FAN3121CMPX | Inverting Channels + Enable     | CMOS            | 3x3 mm MLP-8 | 3,000 / Tape & Reel   |
| FAN3121CMX  |                                 |                 | SOIC-8       | 2,500 / Tape & Reel   |
| FAN3121TMPX |                                 | TTL             | 3x3 mm MLP-8 | 3,000 / Tape & Reel   |
| FAN3121TMX  |                                 |                 | SOIC-8       | 2,500 / Tape & Reel   |
| FAN3122CMPX | Non-Inverting Channels + Enable | CMOS            | 3x3 mm MLP-8 | 3,000 / Tape & Reel   |
| FAN3122CMX  |                                 |                 | SOIC-8       | 2,500 / Tape & Reel   |
| FAN3122TMPX |                                 | TTL             | 3x3 mm MLP-8 | 3,000 / Tape & Reel   |
| FAN3122TMX  |                                 |                 | SOIC-8       | 2,500 / Tape & Reel   |

†For information on tape and reel specifications, including part orientation and tape sizes, please refer to our Tape and Reel Packaging Specifications Brochure, BRD8011/D.

## FAN3121, FAN3122

**Table 1. RELATED PRODUCTS**

| Part Number | Type       | Gate Drive<br>(Note 14) (Sink/Src) | Input Threshold | Logic   | Package       |
|-------------|------------|------------------------------------|-----------------|---|---------------|
| FAN3111C    | Single 1 A | +1.1 A / -0.9 A                    | CMOS            | Single Channel of Dual-Input / Single-Output                                  | SOT23-5, MLP6 |
| FAN3111E    | Single 1 A | +1.1 A / -0.9 A                    | External        | Single Non-Inverting Channel with External Reference                          | SOT23-5, MLP6 |
| FAN3100C    | Single 2 A | +2.5 A / -1.8 A                    | CMOS            | Single Channel of Two-Input / One-Output                                      | SOT23-5, MLP6 |
| FAN3100T    | Single 2 A | +2.5 A / -1.8 A                    | TTL             | Single Channel of Two-Input / One-Output                                      | SOT23-5, MLP6 |
| FAN3180     | Single 2 A | +2.4 A / -1.6 A                    | TTL             | Single Non-Inverting Channel + 3.3 V LDO                                      | SOT23-5       |
| FAN3216T    | Dual 2 A   | +2.4 A / -1.6 A                    | TTL             | Dual Inverting Channels   | SOIC8         |
| FAN3217T    | Dual 2 A   | +2.4 A / -1.6 A                    | TTL             | Dual Non-Inverting Channels   | SOIC8         |
| FAN3226C    | Dual 2 A   | +2.4 A / -1.6 A                    | CMOS            | Dual Inverting Channels + Dual Enable   | SOIC8, MLP8   |
| FAN3226T    | Dual 2 A   | +2.4 A / -1.6 A                    | TTL             | Dual Inverting Channels + Dual Enable   | SOIC8, MLP8   |
| FAN3227C    | Dual 2 A   | +2.4 A / -1.6 A                    | CMOS            | Dual Non-Inverting Channels + Dual Enable                                     | SOIC8, MLP8   |
| FAN3227T    | Dual 2 A   | +2.4 A / -1.6 A                    | TTL             | Dual Non-Inverting Channels + Dual Enable                                     | SOIC8, MLP8   |
| FAN3228C    | Dual 2 A   | +2.4 A / -1.6 A                    | CMOS            | Dual Channels of Two-Input / One-Output                                       | SOIC8, MLP8   |
| FAN3228T    | Dual 2A    | +2.4 A / -1.6 A                    | TTL             | Dual Channels of Two-Input / One-Output                                       | SOIC8, MLP8   |
| FAN3229C    | Dual 2 A   | +2.4 A / -1.6 A                    | CMOS            | Dual Channels of Two-Input / One-Output                                       | SOIC8, MLP8   |
| FAN3229T    | Dual 2 A   | +2.4 A / -1.6 A                    | TTL             | Dual Channels of Two-Input / One-Output                                       | SOIC8, MLP8   |
| FAN3268T    | Dual 2 A   | +2.4 A / -1.6 A                    | TTL             | 20 V Non-Inverting Channel (NMOS) and Inverting Channel (PMOS) + Dual Enables | SOIC8         |
| FAN3278T    | Dual 2 A   | +2.4 A / -1.6 A                    | TTL             | 30 V Non-Inverting Channel (NMOS) and Inverting Channel (PMOS) + Dual Enables | SOIC8         |
| FAN3223C    | Dual 4 A   | +4.3 A / -2.8 A                    | CMOS            | Dual Inverting Channels + Dual Enable   | SOIC8, MLP8   |
| FAN3213T    | Dual 4 A   | +4.3 A / -2.8 A                    | TTL             | Dual Inverting Channels   | SOIC8         |
| FAN3214T    | Dual 4 A   | +4.3 A / -2.8 A                    | TTL             | Dual Non-Inverting Channels   | SOIC8         |
| FAN3223T    | Dual 4 A   | +4.3 A / -2.8 A                    | TTL             | Dual Inverting Channels + Dual Enable   | SOIC8, MLP8   |
| FAN3224C    | Dual 4 A   | +4.3 A / -2.8 A                    | CMOS            | Dual Non-Inverting Channels + Dual Enable                                     | SOIC8, MLP8   |
| FAN3224T    | Dual 4 A   | +4.3 A / -2.8 A                    | TTL             | Dual Non-Inverting Channels + Dual Enable                                     | SOIC8, MLP8   |
| FAN3225C    | Dual 4 A   | +4.3 A / -2.8 A                    | CMOS            | Dual Channels of Two-Input / One-Output                                       | SOIC8, MLP8   |
| FAN3225T    | Dual 4 A   | +4.3 A / -2.8 A                    | TTL             | Dual Channels of Two-Input / One-Output                                       | SOIC8, MLP8   |
| FAN3121C    | Single 9 A | +9.7 A / -7.1 A                    | CMOS            | Single Inverting Channel + Enable   | SOIC8, MLP8   |
| FAN3121T    | Single 9 A | +9.7 A / -7.1 A                    | TTL             | Single Inverting Channel + Enable   | SOIC8, MLP8   |
| FAN3122C    | Single 9 A | +9.7 A / -7.1 A                    | CMOS            | Single Non-Inverting Channel + Enable   | SOIC8, MLP8   |
| FAN3122T    | Single 9 A | +9.7 A / -7.1 A                    | TTL             | Single Non-Inverting Channel + Enable   | SOIC8, MLP8   |
| FAN3240     | Dual 12 A  | > +12.0 A                          | TTL             | Dual-Coil Relay Driver, Timing Config. 0                                      | SOIC8         |
| FAN3241     | Dual 12 A  | > +12.0 A                          | TTL             | Dual-Coil Relay Driver, Timing Config. 1                                      | SOIC8         |

14. Typical currents with OUT at 6 V and  $V_{DD} = 12$  V.

15. Thresholds proportional to an externally supplied reference voltage.

# MECHANICAL CASE OUTLINE

## PACKAGE DIMENSIONS

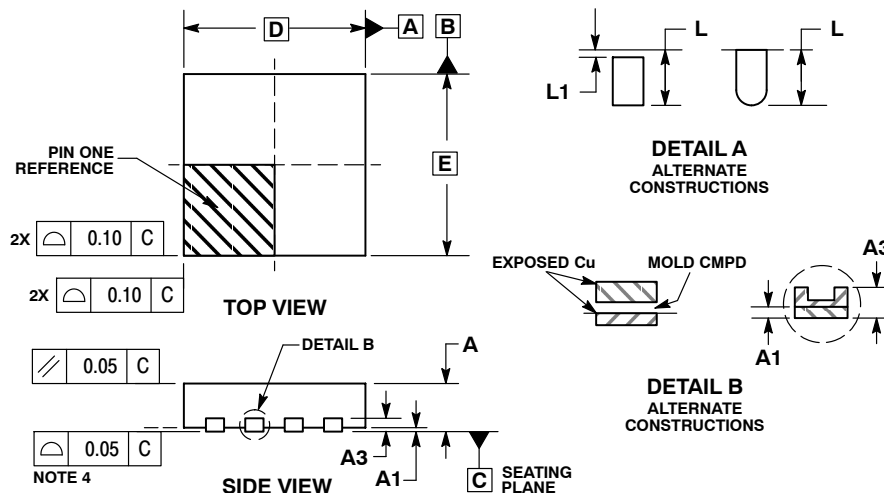
ON Semiconductor®



SCALE 2:1

WDFN8 3x3, 0.65P  
CASE 511CD  
ISSUE O

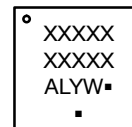
DATE 29 APR 2014



- NOTES:
1. DIMENSIONING AND TOLERANCING PER ASME Y14.5M, 1994.
  2. CONTROLLING DIMENSION: MILLIMETERS.
  3. DIMENSION b APPLIES TO PLATED TERMINAL AND IS MEASURED BETWEEN 0.15 AND 0.30 MM FROM TERMINAL TIP.
  4. COPLANARITY APPLIES TO THE EXPOSED PAD AS WELL AS THE TERMINALS.

| DIM | MILLIMETERS |      |
|-----|-------------|------|
|     | MIN         | MAX  |
| A   | 0.70        | 0.80 |
| A1  | 0.00        | 0.05 |
| A3  | 0.20 REF    |      |
| b   | 0.25        | 0.35 |
| D   | 3.00 BSC    |      |
| D2  | 2.05        | 2.25 |
| E   | 3.00 BSC    |      |
| E2  | 1.10        | 1.30 |
| e   | 0.65 BSC    |      |
| K   | 0.20        | ---  |
| L   | 0.30        | 0.50 |
| L1  | 0.00        | 0.15 |

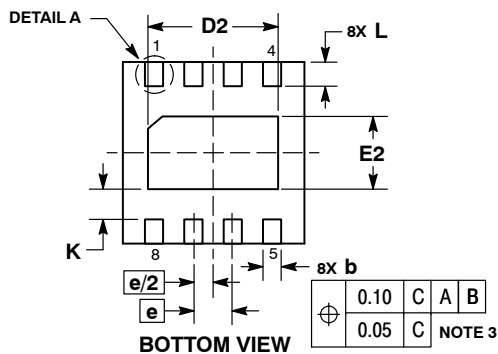
### GENERIC MARKING DIAGRAM\*



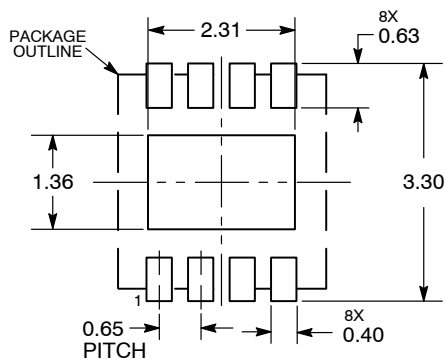
- A = Assembly Location
- L = Wafer Lot
- Y = Year
- W = Work Week
- = Pb-Free Package

(Note: Microdot may be in either location)

\*This information is generic. Please refer to device data sheet for actual part marking. Pb-Free indicator, "G" or microdot "▪", may or may not be present.



### RECOMMENDED SOLDERING FOOTPRINT\*



DIMENSIONS: MILLIMETERS

\*For additional information on our Pb-Free strategy and soldering details, please download the ON Semiconductor Soldering and Mounting Techniques Reference Manual, SOLDERRM/D.

|                         |                          |  |
|-------------------------|--------------------------|--|
| <b>DOCUMENT NUMBER:</b> | <b>98AON84944F</b>       | Electronic versions are uncontrolled except when accessed directly from the Document Repository. Printed versions are uncontrolled except when stamped "CONTROLLED COPY" in red. |
| <b>DESCRIPTION:</b>     | <b>WDFN8, 3X3, 0.65P</b> | <b>PAGE 1 OF 1</b>   |

ON Semiconductor and ON are trademarks of Semiconductor Components Industries, LLC dba ON Semiconductor or its subsidiaries in the United States and/or other countries. ON Semiconductor reserves the right to make changes without further notice to any products herein. ON Semiconductor makes no warranty, representation or guarantee regarding the suitability of its products for any particular purpose, nor does ON Semiconductor assume any liability arising out of the application or use of any product or circuit, and specifically disclaims any and all liability, including without limitation special, consequential or incidental damages. ON Semiconductor does not convey any license under its patent rights nor the rights of others.

# MECHANICAL CASE OUTLINE

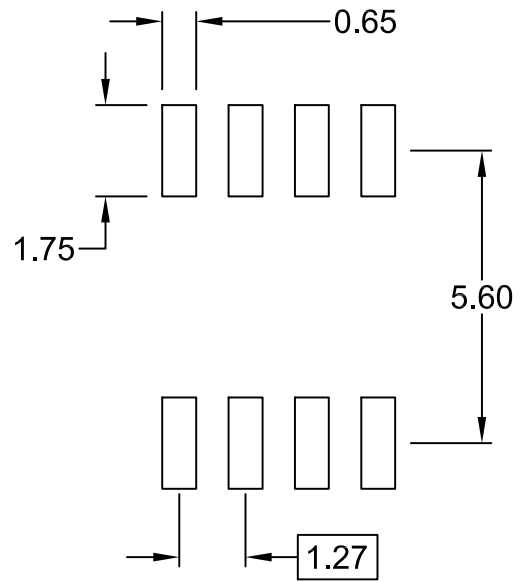
## PACKAGE DIMENSIONS

ON Semiconductor®



SOIC8  
CASE 751EB  
ISSUE A

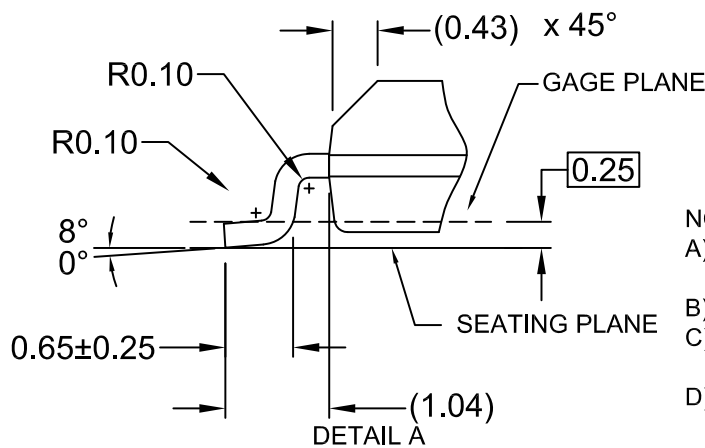
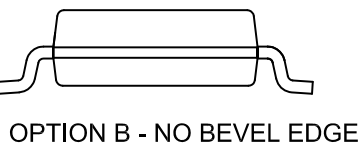
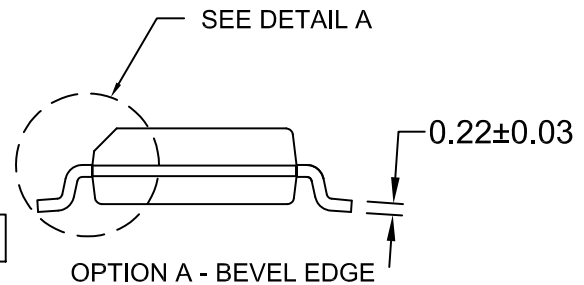
DATE 24 AUG 2017



⊕ 0.25 (M) C B A



⌒ 0.10



SCALE: 2:1

NOTES:

- A) THIS PACKAGE CONFORMS TO JEDEC MS-012, VARIATION AA.
- B) ALL DIMENSIONS ARE IN MILLIMETERS.
- C) DIMENSIONS DO NOT INCLUDE MOLD FLASH OR BURRS.
- D) LANDPATTERN STANDARD: SOIC127P600X175-8M

|                  |             |  |
|------------------|-------------|--|
| DOCUMENT NUMBER: | 98AON13735G | Electronic versions are uncontrolled except when accessed directly from the Document Repository. Printed versions are uncontrolled except when stamped "CONTROLLED COPY" in red. |
| DESCRIPTION:     | SOIC8       | PAGE 1 OF 1  |

ON Semiconductor and ON are trademarks of Semiconductor Components Industries, LLC dba ON Semiconductor or its subsidiaries in the United States and/or other countries. ON Semiconductor reserves the right to make changes without further notice to any products herein. ON Semiconductor makes no warranty, representation or guarantee regarding the suitability of its products for any particular purpose, nor does ON Semiconductor assume any liability arising out of the application or use of any product or circuit, and specifically disclaims any and all liability, including without limitation special, consequential or incidental damages. ON Semiconductor does not convey any license under its patent rights nor the rights of others.

**onsemi**, **Onsemi**, and other names, marks, and brands are registered and/or common law trademarks of Semiconductor Components Industries, LLC dba "**onsemi**" or its affiliates and/or subsidiaries in the United States and/or other countries. **onsemi** owns the rights to a number of patents, trademarks, copyrights, trade secrets, and other intellectual property. A listing of **onsemi**'s product/patent coverage may be accessed at [www.onsemi.com/site/pdf/Patent-Marking.pdf](http://www.onsemi.com/site/pdf/Patent-Marking.pdf). **onsemi** reserves the right to make changes at any time to any products or information herein, without notice. The information herein is provided "as-is" and **onsemi** makes no warranty, representation or guarantee regarding the accuracy of the information, product features, availability, functionality, or suitability of its products for any particular purpose, nor does **onsemi** assume any liability arising out of the application or use of any product or circuit, and specifically disclaims any and all liability, including without limitation special, consequential or incidental damages. Buyer is responsible for its products and applications using **onsemi** products, including compliance with all laws, regulations and safety requirements or standards, regardless of any support or applications information provided by **onsemi**. "Typical" parameters which may be provided in **onsemi** data sheets and/or specifications can and do vary in different applications and actual performance may vary over time. All operating parameters, including "Typicals" must be validated for each customer application by customer's technical experts. **onsemi** does not convey any license under any of its intellectual property rights nor the rights of others. **onsemi** products are not designed, intended, or authorized for use as a critical component in life support systems or any FDA Class 3 medical devices or medical devices with a same or similar classification in a foreign jurisdiction or any devices intended for implantation in the human body. Should Buyer purchase or use **onsemi** products for any such unintended or unauthorized application, Buyer shall indemnify and hold **onsemi** and its officers, employees, subsidiaries, affiliates, and distributors harmless against all claims, costs, damages, and expenses, and reasonable attorney fees arising out of, directly or indirectly, any claim of personal injury or death associated with such unintended or unauthorized use, even if such claim alleges that **onsemi** was negligent regarding the design or manufacture of the part. **onsemi** is an Equal Opportunity/Affirmative Action Employer. This literature is subject to all applicable copyright laws and is not for resale in any manner.

## ADDITIONAL INFORMATION

### TECHNICAL PUBLICATIONS:

Technical Library: [www.onsemi.com/design/resources/technical-documentation](http://www.onsemi.com/design/resources/technical-documentation)  
onsemi Website: [www.onsemi.com](http://www.onsemi.com)

### ONLINE SUPPORT: [www.onsemi.com/support](http://www.onsemi.com/support)

For additional information, please contact your local Sales Representative at [www.onsemi.com/support/sales](http://www.onsemi.com/support/sales)