

**GigaDevice Semiconductor Inc.**

**GD32F103xx**  
**ARM<sup>®</sup> Cortex<sup>™</sup>-M3 32-bit MCU**

Datasheet

# Table of Contents

<b>List of Figures</b> .....	<b>3</b>
<b>List of Tables</b> .....	<b>4</b>
<b>1 General description</b> .....	<b>5</b>
<b>2 Device overview</b> .....	<b>6</b>
2.1 Device information .....	6
2.2 Block diagram.....	9
2.3 Pinouts and pin assignment .....	11
2.4 Memory map.....	15
2.5 Clock tree .....	16
2.6 Pin definitions .....	17
<b>3 Functional description</b> .....	<b>25</b>
3.1 ARM® Cortex™-M3 core .....	25
3.2 On-chip memory.....	25
3.3 Clock, reset and supply management .....	26
3.4 Boot modes.....	26
3.5 Power saving modes .....	27
3.6 Analog to digital converter (ADC).....	27
3.7 Digital to analog converter (DAC).....	28
3.8 DMA .....	28
3.9 General-purpose inputs/outputs (GPIOs).....	28
3.10 Timers and PWM generation.....	29
3.11 Real time clock (RTC) .....	30
3.12 Inter-integrated circuit (I2C).....	30
3.13 Serial peripheral interface (SPI).....	31
3.14 Universal synchronous asynchronous receiver transmitter (USART).....	31
3.15 Inter-IC sound (I2S) .....	31
3.16 Secure digital input and output card interface (SDIO).....	32
3.17 Universal serial bus full-speed (USB 2.0 FS) .....	32
3.18 Controller area network (CAN).....	32
3.19 External memory controller (EXMC) .....	32
3.20 Debug mode .....	33
3.21 Package and operation temperature.....	33
<b>4 Electrical characteristics</b> .....	<b>34</b>
4.1 Absolute maximum ratings .....	34
4.2 Recommended DC characteristics.....	34
4.3 Power consumption .....	35
4.4 EMC characteristics.....	36
4.5 Electrical sensitivity.....	37
4.6 External clock characteristics.....	37

---

4.7	Internal clock characteristics .....	38
4.8	PLL characteristics .....	38
4.9	Memory characteristics .....	38
4.10	GPIO characteristics.....	39
4.11	ADC characteristics .....	39
4.12	DAC characteristics .....	39
4.13	I2C characteristics .....	40
4.14	SPI characteristics .....	40
<b>5</b>	<b>Package information .....</b>	<b>41</b>
5.1	QFN package outline dimensions .....	41
5.2	LQFP package outline dimensions .....	42
<b>6</b>	<b>Ordering Information.....</b>	<b>44</b>
<b>7</b>	<b>Revision History.....</b>	<b>46</b>

## List of Figures

Figure 1. GD32F103x4/6/8/B block diagram .....	9
Figure 2. GD32F103xC/D/E/F/G/I/K block diagram.....	10
Figure 3. GD32F103Zx LQFP144 pinouts .....	11
Figure 4. GD32F103Vx LQFP100 pinouts .....	12
Figure 5. GD32F103Rx LQFP64 pinouts .....	13
Figure 6. GD32F103Cx LQFP48 pinouts .....	13
Figure 7. GD32F103Tx QFN36 pinouts .....	14
Figure 8. GD32F103xx memory map .....	15
Figure 9. GD32F103xx clock tree.....	16
Figure 10. QFN package outline.....	41
Figure 11. LQFP package outline .....	42

## List of Tables

Table 1. GD32F103xx devices features and peripheral list .....	6
Table 2. GD32F103xx pin definitions .....	17
Table 3. Absolute maximum ratings .....	34
Table 4. DC operating conditions .....	34
Table 5. Power consumption characteristics .....	35
Table 6. EMS characteristics .....	36
Table 7. EMI characteristics .....	36
Table 8. ESD characteristics .....	37
Table 9. Static latch-up characteristics .....	37
Table 10. High speed external clock (HSE) characteristics .....	37
Table 11. Low speed external clock (LSE) characteristics .....	37
Table 12. High speed internal clock (HSI) characteristics .....	38
Table 13. Low speed internal clock (LSI) characteristics .....	38
Table 14. PLL characteristics .....	38
Table 15. Flash memory characteristics .....	38
Table 16. I/O port characteristics .....	39
Table 17. ADC characteristics .....	39
Table 18. DAC characteristics .....	39
Table 19. I2C characteristics .....	40
Table 20. SPI characteristics .....	40
Table 21. QFN package dimensions .....	41
Table 22. LQFP package dimensions .....	43
Table 23. Part ordering code for GD32F103xx devices .....	44
Table 24. Revision history .....	46

## 1 General description

The GD32F103xx device is a 32-bit general-purpose microcontroller based on the ARM<sup>®</sup> Cortex<sup>™</sup>-M3 RISC core with best ratio in terms of processing power, reduced power consumption and peripheral set. The Cortex<sup>™</sup>-M3 is a next generation processor core which is tightly coupled with a Nested Vectored Interrupt Controller (NVIC), SysTick timer and advanced debug support.

The GD32F103xx device incorporates the ARM<sup>®</sup> Cortex<sup>™</sup>-M3 32-bit processor core operating at 108 MHz frequency with Flash accesses zero wait states to obtain maximum efficiency. It provides up to 3 MB on-chip Flash memory and up to 96 KB SRAM memory. An extensive range of enhanced I/Os and peripherals connected to two APB buses. The devices offer up to three 12-bit ADCs, up to two 12-bit DACs, up to ten general-purpose 16-bit timers, two basic timers plus two PWM advanced-control timer, as well as standard and advanced communication interfaces: up to three SPIs, two I<sup>2</sup>Cs, three USARTs, two UARTs, two I<sup>2</sup>Ss, an USB 2.0 FS, a CAN and a SDIO.

The device operates from a 2.6 to 3.6 V power supply and available in –40 to +85 °C temperature range. Several power saving modes provide the flexibility for maximum optimization between wakeup latency and power consumption, an especially important consideration in low power applications.

The above features make the GD32F103xx devices suitable for a wide range of applications, especially in areas such as industrial control, motor drives, power monitor and alarm systems, consumer and handheld equipment, POS, vehicle GPS, video intercom, PC peripherals and so on.

## 2 Device overview

### 2.1 Device information

**Table 1. GD32F103xx devices features and peripheral list**

Part Number		GD32F103xx													
		T4	T6	T8	TB	C4	C6	C8	CB	R4	R6	R8	RB	V8	VB
<b>Flash (KB)</b>		16	32	64	128	16	32	64	128	16	32	64	128	64	128
<b>SRAM (KB)</b>		6	10	20	20	6	10	20	20	6	10	20	20	20	20
<b>Timers</b>	<b>GPTM</b>	2	2	3	3	2	2	3	3	2	2	3	3	3	3
	<b>Advanced TM</b>	1	1	1	1	1	1	1	1	1	1	1	1	1	1
	<b>SysTick</b>	1	1	1	1	1	1	1	1	1	1	1	1	1	1
	<b>Watchdog</b>	2	2	2	2	2	2	2	2	2	2	2	2	2	2
	<b>RTC</b>	1	1	1	1	1	1	1	1	1	1	1	1	1	1
<b>Connectivity</b>	<b>USART</b>	2	2	2	2	2	2	3	3	2	2	3	3	3	3
	<b>I2C</b>	1	1	1	1	1	1	2	2	1	1	2	2	2	2
	<b>SPI</b>	1	1	1	1	1	1	2	2	1	1	2	2	2	2
	<b>CAN 2.0B</b>	1	1	1	1	1	1	1	1	1	1	1	1	1	1
	<b>USB 2.0 FS</b>	1	1	1	1	1	1	1	1	1	1	1	1	1	1
<b>GPIO</b>		26	26	26	26	37	37	37	37	51	51	51	51	80	80
<b>EXMC</b>		0	0	0	0	0	0	0	0	0	0	0	0	1	1
<b>EXTI</b>		16	16	16	16	16	16	16	16	16	16	16	16	16	16
<b>ADC</b>	<b>Units</b>	2	2	2	2	2	2	2	2	2	2	2	2	2	2
	<b>Channels</b>	10	10	10	10	10	10	10	10	16	16	16	16	16	16
<b>Package</b>		QFN36				LQFP48				LQFP64				LQFP100	

**Table 1. GD32F103xx devices features and peripheral list (continued)**

Part Number	GD32F103xx													
	RC	RD	RE	RF	RG	RI	RK	VC	VD	VE	VF	VG	VI	VK
Flash (KB)	256	384	512	768	1024	2048	3072	256	384	512	768	1024	2048	3072
SRAM (KB)	48	64	64	96	96	96	96	48	64	64	96	96	96	96
Timers	GPTM	4	4	4	10	10	10	10	4	4	4	10	10	10
	Advanced TM	2	2	2	2	2	2	2	2	2	2	2	2	2
	SysTick	1	1	1	1	1	1	1	1	1	1	1	1	1
	Basic TM	2	2	2	2	2	2	2	2	2	2	2	2	2
	Watchdog	2	2	2	2	2	2	2	2	2	2	2	2	2
	RTC	1	1	1	1	1	1	1	1	1	1	1	1	1
Connectivity	U(S)ART	5	5	5	5	5	5	5	5	5	5	5	5	5
	I2C	2	2	2	2	2	2	2	2	2	2	2	2	2
	SPI	3	3	3	3	3	3	3	3	3	3	3	3	3
	CAN 2.0B	1	1	1	1	1	1	1	1	1	1	1	1	1
	USB 2.0 FS	1	1	1	1	1	1	1	1	1	1	1	1	1
	I2S	2	2	2	2	2	2	2	2	2	2	2	2	2
	SDIO	1	1	1	1	1	1	1	1	1	1	1	1	1
GPIO	51	51	51	51	51	51	51	80	80	80	80	80	80	80
EXMC	0	0	0	0	0	0	0	1	1	1	1	1	1	1
EXTI	16	16	16	16	16	16	16	16	16	16	16	16	16	16
ADC	Units	3	3	3	3	3	3	3	3	3	3	3	3	3
	Channels	16	16	16	16	16	16	16	16	16	16	16	16	16
DAC	2	2	2	2	2	2	2	2	2	2	2	2	2	2
Package	LQFP64							LQFP100						



**Table 1. GD32F103xx devices features and peripheral list (continued)**

Part Number		GD32F103xx						
		ZC	ZD	ZE	ZF	ZG	ZI	ZK
<b>Flash (KB)</b>		256	384	512	768	1024	2048	3072
<b>SRAM (KB)</b>		48	64	64	96	96	96	96
<b>Timers</b>	<b>GPTM</b>	4	4	4	10	10	10	10
	<b>Advanced TM</b>	2	2	2	2	2	2	2
	<b>SysTick</b>	1	1	1	1	1	1	1
	<b>Basic TM</b>	2	2	2	2	2	2	2
	<b>Watchdog</b>	2	2	2	2	2	2	2
	<b>RTC</b>	1	1	1	1	1	1	1
<b>Connectivity</b>	<b>U(S)ART</b>	5	5	5	5	5	5	5
	<b>I2C</b>	2	2	2	2	2	2	2
	<b>SPI</b>	3	3	3	3	3	3	3
	<b>CAN 2.0B</b>	1	1	1	1	1	1	1
	<b>USB 2.0 FS</b>	1	1	1	1	1	1	1
	<b>I2S</b>	2	2	2	2	2	2	2
	<b>SDIO</b>	1	1	1	1	1	1	1
<b>GPIO</b>		112	112	112	112	112	112	112
<b>EXMC</b>		1	1	1	1	1	1	1
<b>EXTI</b>		16	16	16	16	16	16	16
<b>ADC</b>	<b>Units</b>	3	3	3	3	3	3	3
	<b>Channels</b>	21	21	21	21	21	21	21
<b>DAC</b>		2	2	2	2	2	2	2
<b>Package</b>		LQFP144						

## 2.2 Block diagram

Figure 1. GD32F103x4/6/8/B block diagram

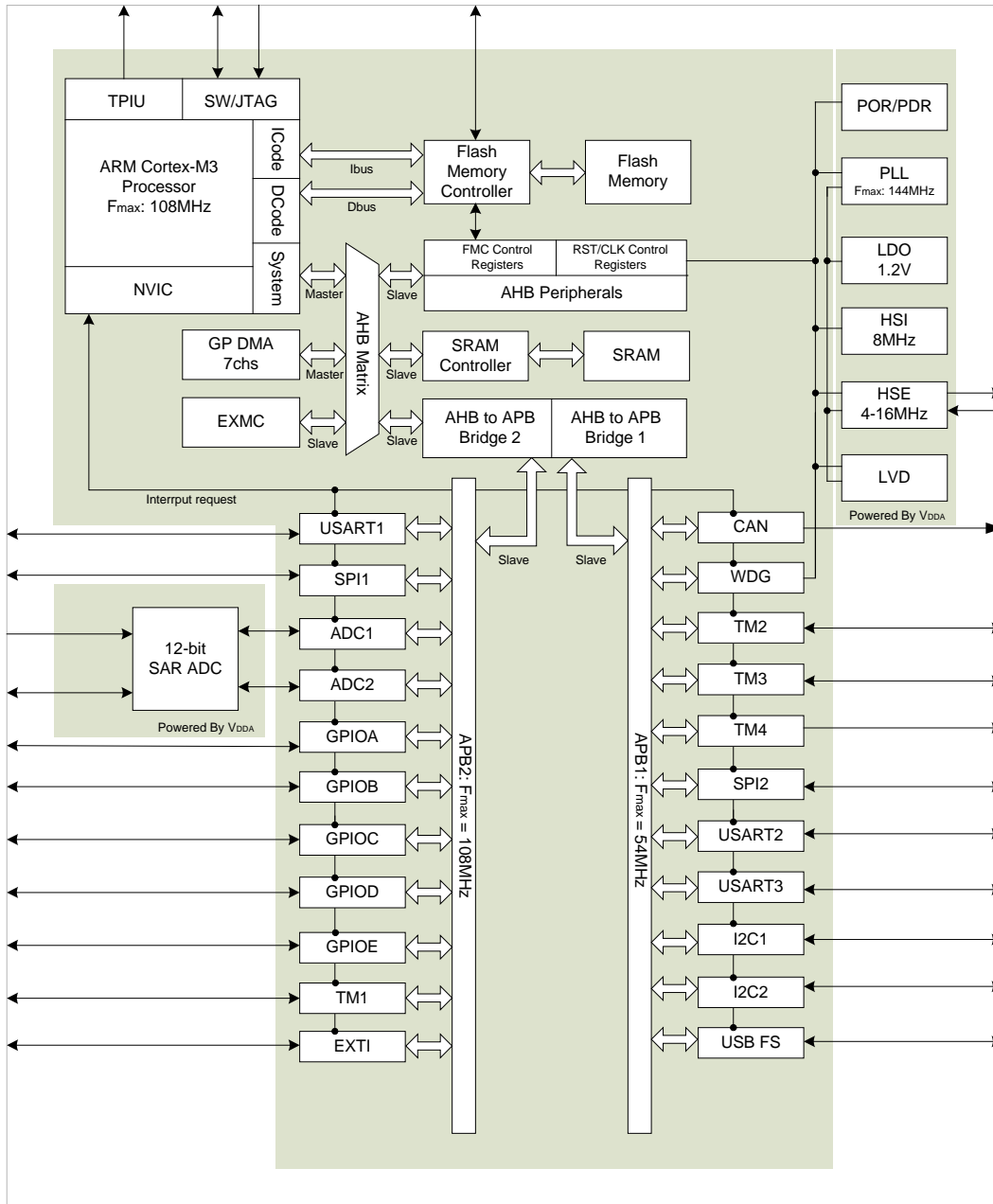
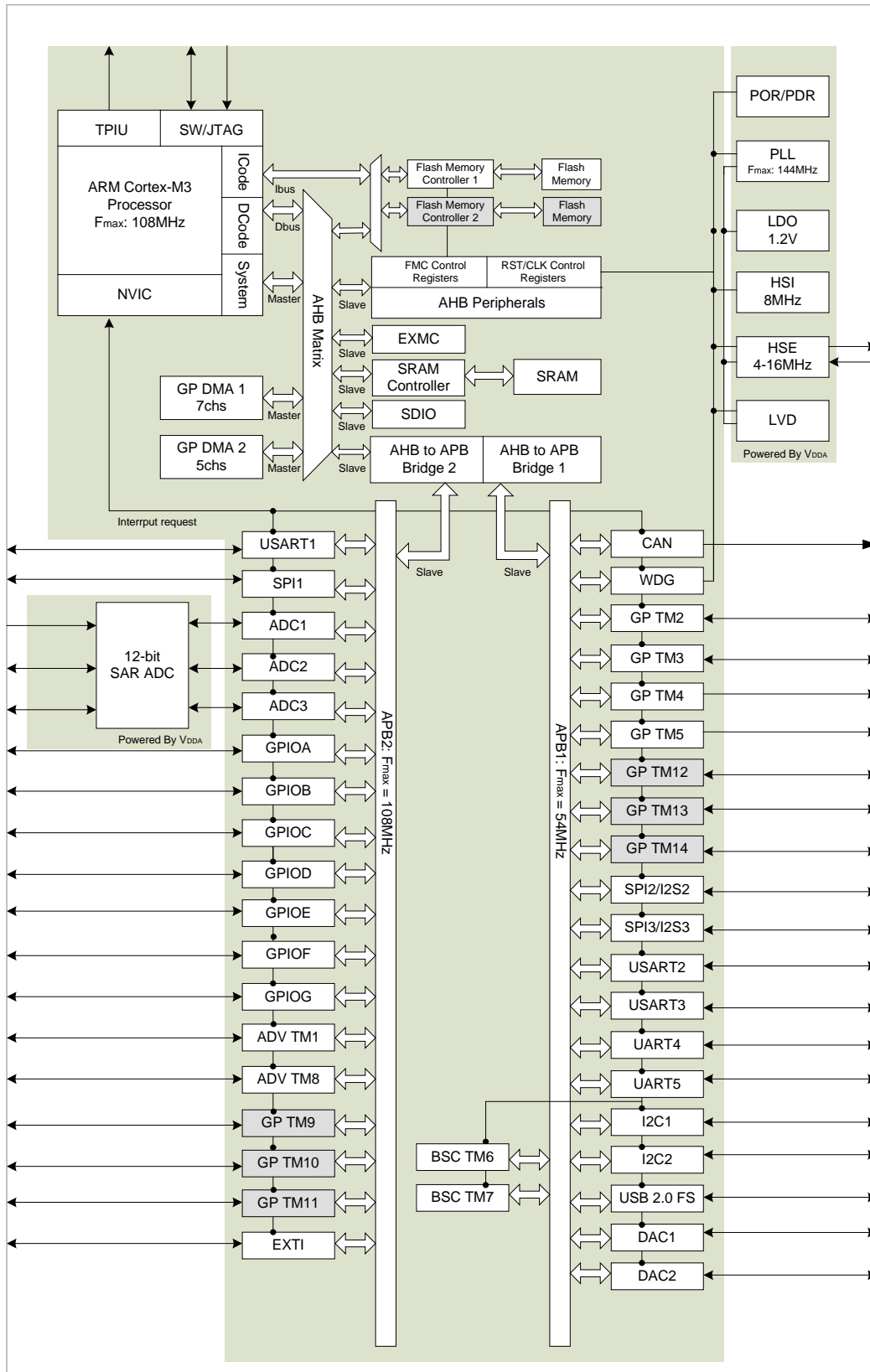


Figure 2. GD32F103xC/D/E/F/G/I/K block diagram



■ : Blocks are available in GD32F103xF/G/I/K devices

## 2.3 Pinouts and pin assignment

Figure 3. GD32F103Zx LQFP144 pinouts

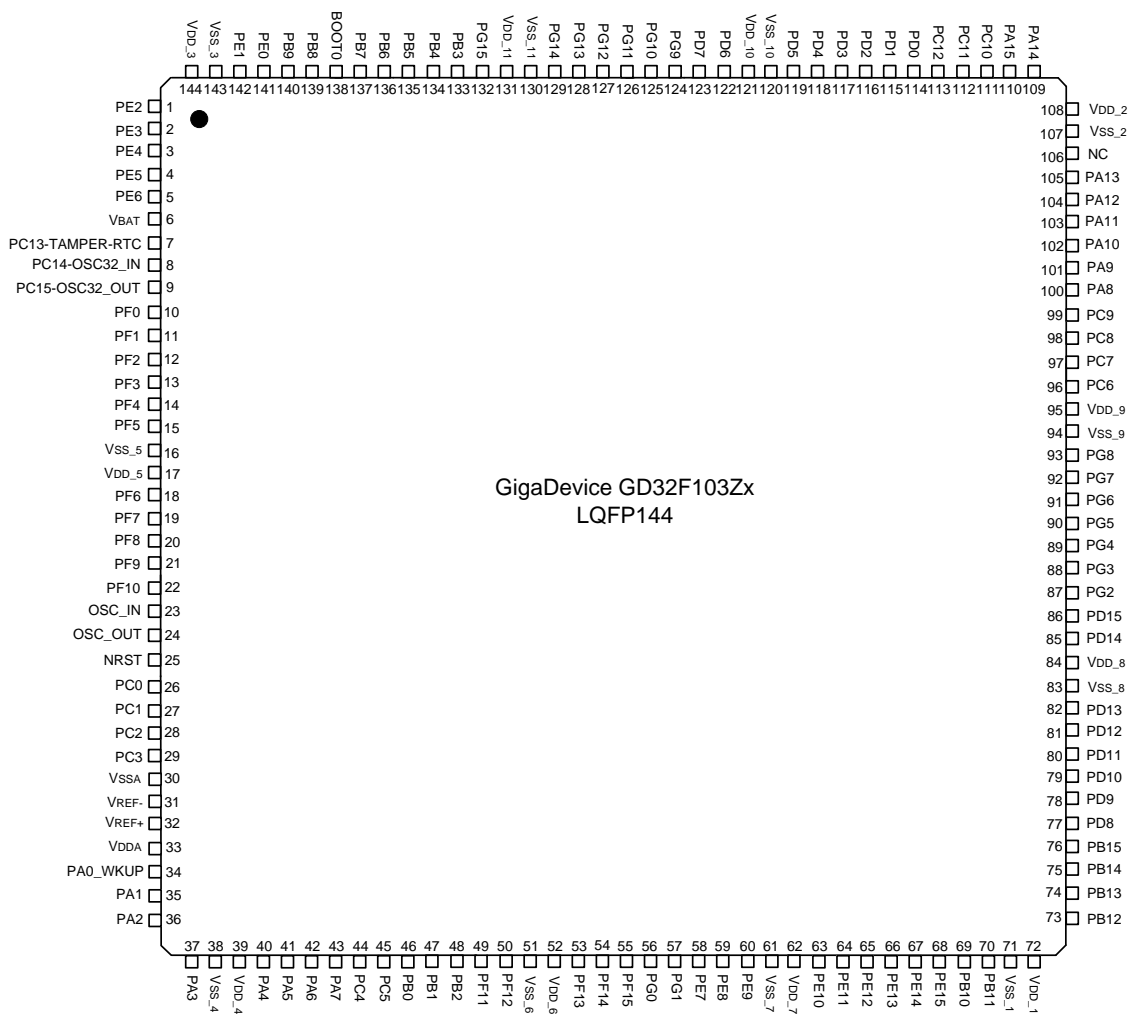


Figure 4. GD32F103Vx LQFP100 pinouts

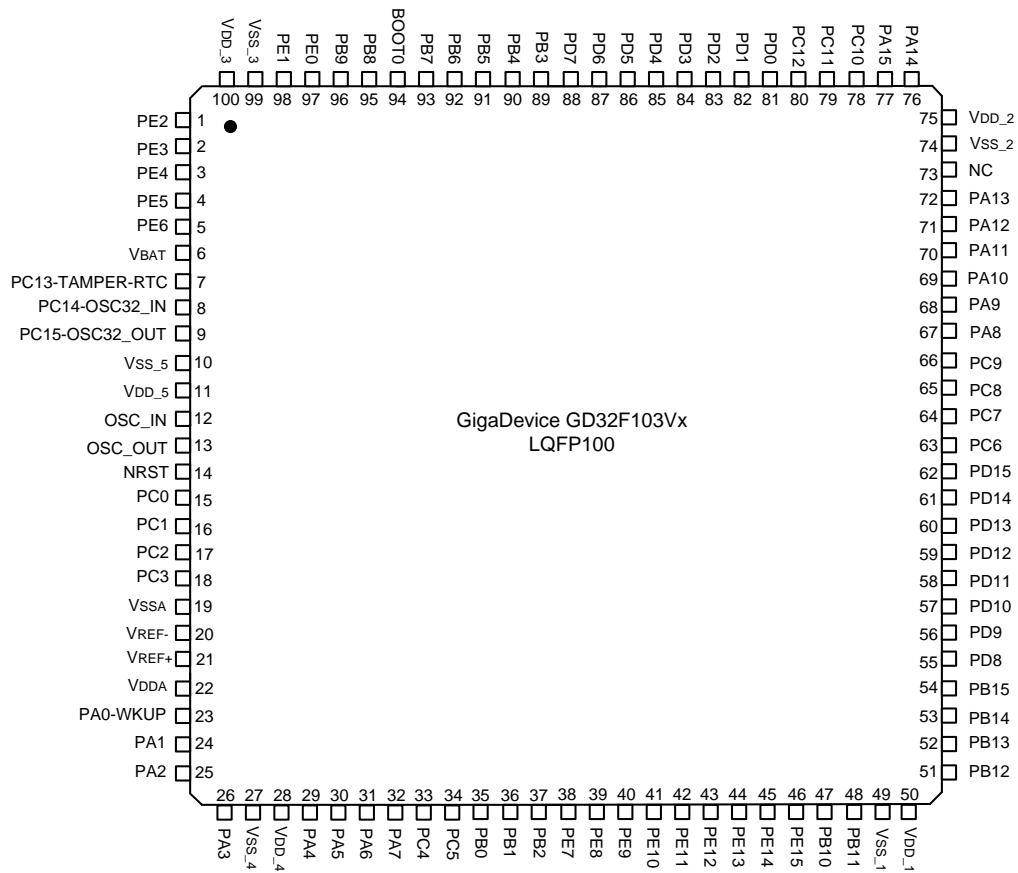


Figure 5. GD32F103Rx LQFP64 pinouts

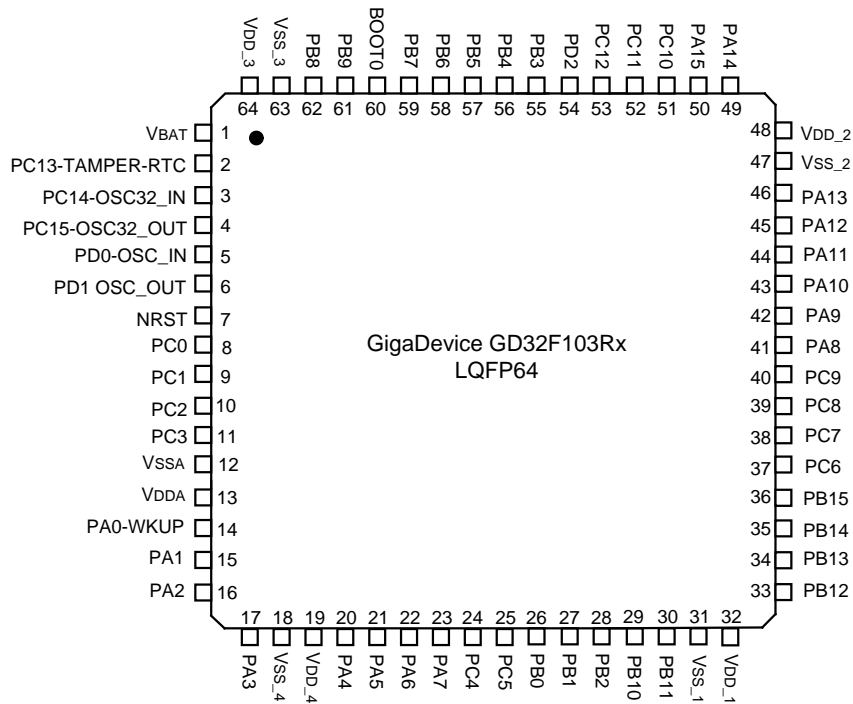


Figure 6. GD32F103Cx LQFP48 pinouts

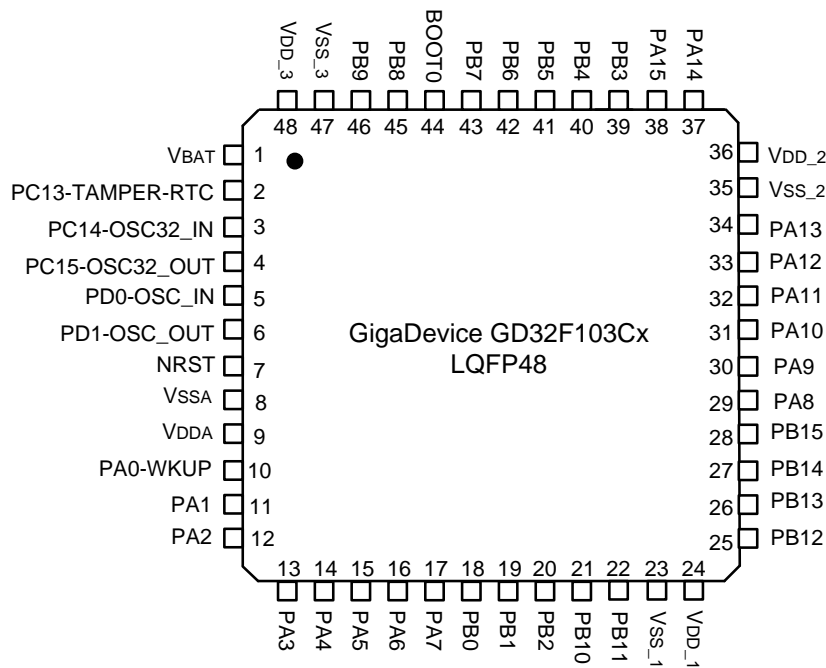
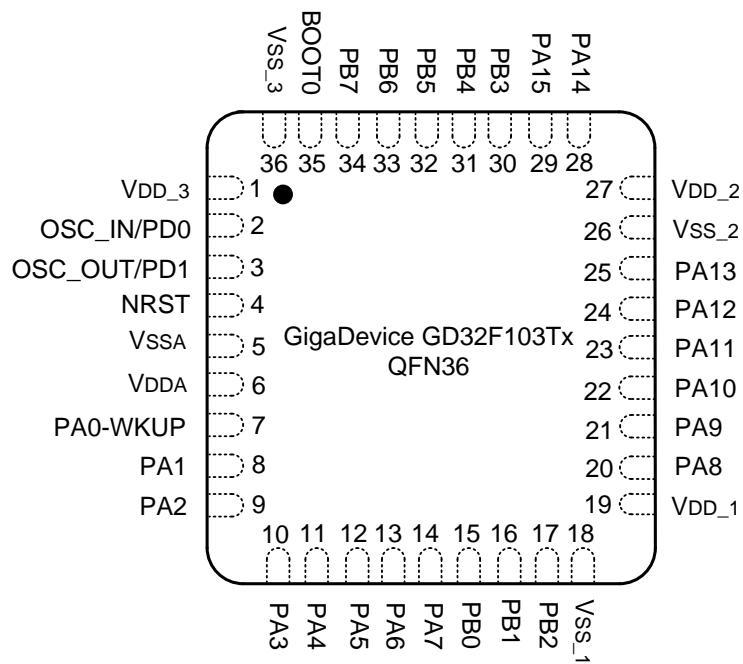
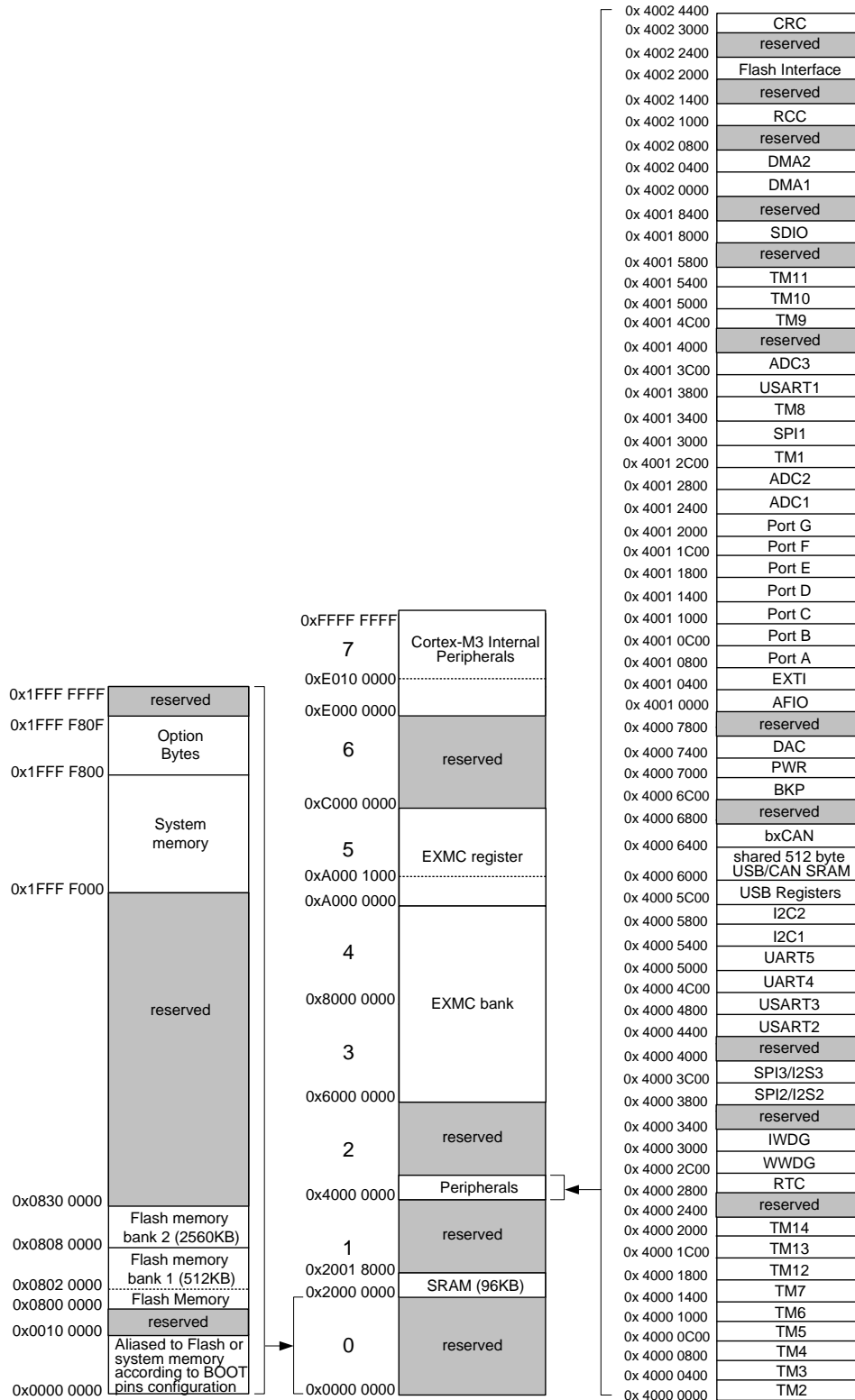


Figure 7. GD32F103Tx QFN36 pinouts



## 2.4 Memory map

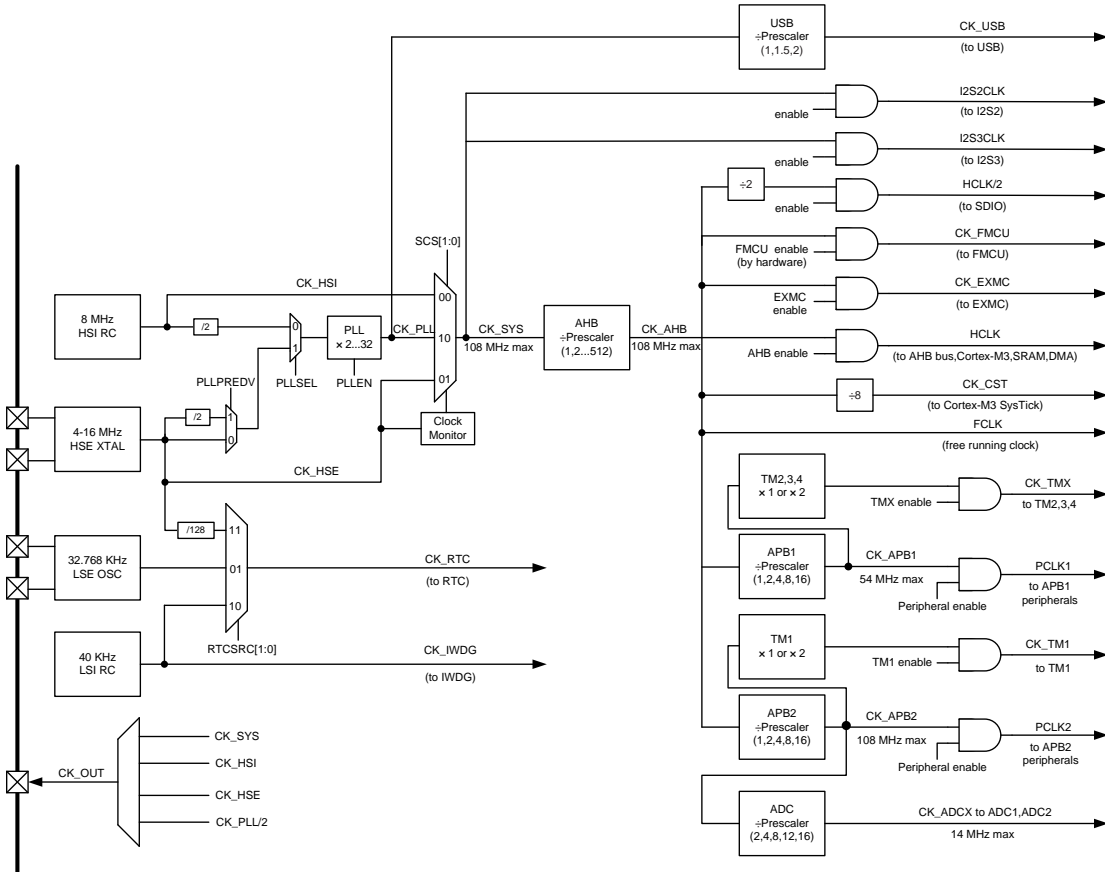
Figure 8. GD32F103xx memory map





## 2.5 Clock tree

Figure 9. GD32F103xx clock tree



**Legend:**

- HSE = High speed external clock
- HSI = High speed internal clock
- LSE = Low speed external clock
- LSI = Low speed internal clock

## 2.6 Pin definitions

Table 2. GD32F103xx pin definitions

Pin Name	Pins					Pin Type <sup>(1)</sup>	I/O <sup>(2)</sup> Level	Functions description
	LQFP144	LQFP100	LQFP64	LQFP48	QFN36			
PE2	1	1	-	-	-	I/O	5VT	Default: PE2 Alternate: TRACECK, EXMC_A23
PE3	2	2	-	-	-	I/O	5VT	Default: PE3 Alternate: TRACED0, EXMC_A19
PE4	3	3	-	-	-	I/O	5VT	Default: PE4 Alternate: TRACED1, EXMC_A20
PE5	4	4	-	-	-	I/O	5VT	Default: PE5 Alternate: TRACED2, EXMC_A21 Remap: TM9_CH1 <sup>(4)</sup>
PE6	5	5	-	-	-	I/O	5VT	Default: PE6 Alternate: TRACED3, EXMC_A22 Remap: TM9_CH2 <sup>(4)</sup>
V <sub>BAT</sub>	6	6	1	1	-	P		Default: V <sub>BAT</sub>
PC13-TAMPE R-RTC	7	7	2	2	-	I/O		Default: PC13 Alternate: TAMPER-RTC
PC14-OSC32 _IN	8	8	3	3	-	I/O		Default: PC14 Alternate: OSC32_IN
PC15- OSC32_OUT	9	9	4	4	-	I/O		Default: PC15 Alternate: OSC32_OUT
PF0	10					I/O	5VT	Default: PF0 <sup>(3)</sup> Alternate: EXMC_A0 <sup>(3)</sup>
PF1	11					I/O	5VT	Default: PF1 <sup>(3)</sup> Alternate: EXMC_A1 <sup>(3)</sup>
PF2	12					I/O	5VT	Default: PF2 <sup>(3)</sup> Alternate: EXMC_A2 <sup>(3)</sup>
PF3	13					I/O	5VT	Default: PF3 <sup>(3)</sup> Alternate: EXMC_A3 <sup>(3)</sup>
PF4	14					I/O	5VT	Default: PF4 <sup>(3)</sup> Alternate: EXMC_A4 <sup>(3)</sup>
PF5	15					I/O	5VT	Default: PF5 <sup>(3)</sup> Alternate: EXMC_A5 <sup>(3)</sup>
V <sub>SS_5</sub>	16	10	-	-	-	P		Default: V <sub>SS_5</sub>
V <sub>DD_5</sub>	17	11	-	-	-	P		Default: V <sub>DD_5</sub>
PF6	18					I/O		Default: PF6 <sup>(3)</sup> Alternate: ADC3_IN4 <sup>(3)</sup> , EXMC_NIORD <sup>(3)</sup> Remap: TM10_CH1 <sup>(4)</sup>
PF7	19					I/O		Default: PF7 <sup>(3)</sup> Alternate: ADC3_IN5 <sup>(3)</sup> , EXMC_NREG <sup>(3)</sup>

Pin Name	Pins					Pin Type <sup>(1)</sup>	I/O <sup>(2)</sup> Level	Functions description
	LQFP144	LQFP100	LQFP64	LQFP48	QFN36			
								Remap: TM11_CH1 <sup>(4)</sup>
PF8	20					I/O		Default: PF8 <sup>(3)</sup> Alternate: ADC3_IN6 <sup>(3)</sup> , EXMC_NIOWR <sup>(3)</sup> Remap: TM13_CH1 <sup>(4)</sup>
PF9	21					I/O		Default: PF9 <sup>(3)</sup> Alternate: ADC3_IN7 <sup>(3)</sup> , EXMC_CD <sup>(3)</sup> Remap: TM14_CH1 <sup>(4)</sup>
PF10	22					I/O		Default: PF10 <sup>(3)</sup> Alternate: ADC3_IN8 <sup>(3)</sup> , EXMC_INTR <sup>(3)</sup>
OSC_IN	23	12	5	5	2	I		Default: OSC_IN Remap: PD0 <sup>(4)</sup>
OSC_OUT	24	13	6	6	3	O		Default: OSC_OUT Remap: PD1 <sup>(4)</sup>
NRST	25	14	7	7	4	I/O		Default: NRST
PC0	26	15	8	-	-	I/O		Default: PC0 Alternate: ADC_IN10
PC1	27	16	9	-	-	I/O		Default: PC1 Alternate: ADC_IN11
PC2	28	17	10	-	-	I/O		Default: PC2 Alternate: ADC_IN12
PC3	29	18	11	-	-	I/O		Default: PC3 Alternate: ADC_IN13
V <sub>SSA</sub>	30	19	12	8	5	P		Default: V <sub>SSA</sub>
V <sub>REF-</sub>	31	20	-	-	-	P		Default: V <sub>REF-</sub>
V <sub>REF+</sub>	32	21	-	-	-	P		Default: V <sub>REF+</sub>
V <sub>DDA</sub>	33	22	13	9	6	P		Default: V <sub>DDA</sub>
PA0-WKUP	34	23	14	10	7	I/O		Default: PA0 Alternate: WKUP, USART2_CTS, ADC_IN0, TM2_CH1_ETR, TM5_CH1 <sup>(3)</sup> , TM8_ETR <sup>(3)</sup>
PA1	35	24	15	11	8	I/O		Default: PA1 Alternate: USART2_RTS, ADC_IN1, TM2_CH2, TM5_CH2 <sup>(3)</sup>
PA2	36	25	16	12	9	I/O		Default: PA2 Alternate: USART2_TX, ADC_IN2, TM2_CH3, TM5_CH3 <sup>(3)</sup> , TM9_CH1 <sup>(4)</sup>
PA3	37	26	17	13	10	I/O		Default: PA3 Alternate: USART2_RX, ADC_IN3, TM2_CH4, TM5_CH4 <sup>(3)</sup> , TM9_CH2 <sup>(4)</sup>
V <sub>SS_4</sub>	38	27	18	-	-	P		Default: V <sub>SS_4</sub>
V <sub>DD_4</sub>	39	28	19	-	-	P		Default: V <sub>DD_4</sub>
PA4	40	29	20	14	11	I/O		Default: PA4 Alternate: SPI1_NSS, USART2_CK, ADC12_IN4; DAC_OUT1 <sup>(3)</sup>

Pin Name	Pins					Pin Type <sup>(1)</sup>	I/O <sup>(2)</sup> Level	Functions description
	LQFP144	LQFP100	LQFP64	LQFP48	QFN36			
PA5	41	30	21	15	12	I/O		Default: PA5 Alternate: SPI1_SCK, ADC12_IN5, DAC_OUT2 <sup>(3)</sup>
PA6	42	31	22	16	13	I/O		Default: PA6 Alternate: SPI1_MISO, ADC12_IN6, TM3_CH1, TM8_BKIN <sup>(3)</sup> , TM13_CH1 <sup>(4)</sup> Remap: TM1_BKIN
PA7	43	32	23	17	14	I/O		Default: PA7 Alternate: SPI1_MOSI, ADC12_IN7, TM3_CH2, TM8_CH1N <sup>(3)</sup> , TM14_CH1 <sup>(4)</sup> Remap: TM1_CH1N
PC4	44	33	24	-	-	I/O		Default: PC4 Alternate: ADC12_IN14
PC5	45	34	25	-	-	I/O		Default: PC5 Alternate: ADC12_IN15
PB0	46	35	26	18	15	I/O		Default: PB0 Alternate: ADC12_IN8, TM3_CH3, TM8_CH2N <sup>(3)</sup> Remap: TM1_CH2N
PB1	47	36	27	19	16	I/O		Default: PB1 Alternate: ADC12_IN9, TM3_CH4, TM8_CH3N <sup>(3)</sup> Remap: TM1_CH3N
PB2	48	37	28	20	17	I/O	5VT	Default: PB2/BOOT1
PF11	49					I/O	5VT	Default: PF11 <sup>(3)</sup> Alternate: EXMC_NIOS16 <sup>(3)</sup>
PF12	50					I/O	5VT	Default: PF12 <sup>(3)</sup> Alternate: EXMC_A6 <sup>(3)</sup>
V <sub>SS_6</sub>	51					P		Default: V <sub>SS_6</sub>
V <sub>DD_6</sub>	52					P		Default: V <sub>DD_6</sub>
PF13	53					I/O	5VT	Default: PF13 <sup>(3)</sup> Alternate: EXMC_A7 <sup>(3)</sup>
PF14	54					I/O	5VT	Default: PF14 <sup>(3)</sup> Alternate: EXMC_A8 <sup>(3)</sup>
PF15	55					I/O	5VT	Default: PF15 <sup>(3)</sup> Alternate: EXMC_A9 <sup>(3)</sup>
PG0	56					I/O	5VT	Default: PG0 <sup>(3)</sup> Alternate: EXMC_A10 <sup>(3)</sup>
PG1	57					I/O	5VT	Default: PG1 <sup>(3)</sup> Alternate: EXMC_A11 <sup>(3)</sup>
PE7	58	38	-	-	-	I/O	5VT	Default: PE7 Alternate: EXMC_D4 Remap: TM1_ETR
PE8	59	39	-	-	-	I/O	5VT	Default: PE8 Alternate: EXMC_D5 Remap: TM1_CH1N

Pin Name	Pins					Pin Type <sup>(1)</sup>	I/O <sup>(2)</sup> Level	Functions description
	LQFP144	LQFP100	LQFP64	LQFP48	QFN36			
PE9	60	40	-	-	-	I/O	5VT	Default: PE9 Alternate: EXMC_D6 Remap: TM1_CH1
V <sub>SS_7</sub>	61					P		Default: V <sub>SS_7</sub>
V <sub>DD_7</sub>	62					P		Default: V <sub>DD_7</sub>
PE10	63	41	-	-	-	I/O	5VT	Default: PE10 Alternate: EXMC_D7 Remap: TM1_CH2N
PE11	64	42	-	-	-	I/O	5VT	Default: PE11 Alternate: EXMC_D8 Remap: TM1_CH2
PE12	65	43	-	-	-	I/O	5VT	Default: PE12 Alternate: EXMC_D9 Remap: TM1_CH3N
PE13	66	44	-	-	-	I/O	5VT	Default: PE13 Alternate: EXMC_D10 Remap: TM1_CH3
PE14	67	45	-	-	-	I/O	5VT	Default: PE14 Alternate: EXMC_D11 Remap: TM1_CH4
PE15	68	46	-	-	-	I/O	5VT	Default: PE15 Alternate: EXMC_D12 Remap: TM1_BKIN
PB10	69	47	29	21	-	I/O	5VT	Default: PB10 Alternate: I2C2_SCL, USART3_TX Remap: TM2_CH3
PB11	70	48	30	22	-	I/O	5VT	Default: PB11 Alternate: I2C2_SDA, USART3_RX Remap: TM2_CH4
V <sub>SS_1</sub>	71	49	31	23	18	P		Default: V <sub>SS_1</sub>
V <sub>DD_1</sub>	72	50	32	24	19	P		Default: V <sub>DD_1</sub>
PB12	73	51	33	25	-	I/O	5VT	Default: PB12 Alternate: SPI2_NSS, I2C2_SMBAI, USART3_CK, TM1_BKIN, I2S2_WS <sup>(3)</sup>
PB13	74	52	34	26	-	I/O	5VT	Default: PB13 Alternate: SPI2_SCK, USART3_CTS, TM1_CH1N, I2S2_CK <sup>(3)</sup>
PB14	75	53	35	27	-	I/O	5VT	Default: PB14 Alternate: SPI2_MISO, USART3_RTS, TM1_CH2N, TM12_CH1 <sup>(4)</sup>
PB15	76	54	36	28	-	I/O	5VT	Default: PB15 Alternate: SPI2_MOSI, TM1_CH3N, I2S2_SD <sup>(3)</sup> , TM12_CH2 <sup>(4)</sup>

Pin Name	Pins					Pin Type <sup>(1)</sup>	I/O <sup>(2)</sup> Level	Functions description
	LQFP144	LQFP100	LQFP64	LQFP48	QFN36			
PD8	77	55	-	-	-	I/O	5VT	Default: PD8 Alternate: EXMC_D13 Remap: USART3_TX
PD9	78	56	-	-	-	I/O	5VT	Default: PD9 Alternate: EXMC_D14 Remap: USART3_RX
PD10	79	57	-	-	-	I/O	5VT	Default: PD10 Alternate: EXMC_D15 Remap: USART3_CK
PD11	80	58	-	-	-	I/O	5VT	Default: PD11 Alternate: EXMC_A16 Remap: USART3_CTS
PD12	81	59	-	-	-	I/O	5VT	Default: PD12 Alternate: EXMC_A17 Remap: TM4_CH1, USART3_RTS
PD13	82	60	-	-	-	I/O	5VT	Default: PD13 Alternate: EXMC_A18 Remap: TM4_CH2
V <sub>SS_8</sub>	83					P		Default: V <sub>SS_8</sub>
V <sub>DD_8</sub>	84					P		Default: V <sub>DD_8</sub>
PD14	85	61	-	-	-	I/O	5VT	Default: PD14 Alternate: EXMC_D0 Remap: TM4_CH3
PD15	86	62	-	-	-	I/O	5VT	Default: PD15 Alternate: EXMC_D1 Remap: TM4_CH4
PG2	87					I/O	5VT	Default: PG2 <sup>(3)</sup> Alternate: EXMC_A12 <sup>(3)</sup>
PG3	88					I/O	5VT	Default: PG3 <sup>(3)</sup> Alternate: EXMC_A13 <sup>(3)</sup>
PG4	89					I/O	5VT	Default: PG4 <sup>(3)</sup> Alternate: EXMC_A14 <sup>(3)</sup>
PG5	90					I/O	5VT	Default: PG5 <sup>(3)</sup> Alternate: EXMC_A15 <sup>(3)</sup>
PG6	91					I/O	5VT	Default: PG6 <sup>(3)</sup> Alternate: EXMC_INT2 <sup>(3)</sup>
PG7	92					I/O	5VT	Default: PG7 <sup>(3)</sup> Alternate: EXMC_INT3 <sup>(3)</sup>
PG8	93					I/O	5VT	Default: PG8 <sup>(3)</sup>
V <sub>SS_9</sub>	94					P		Default: V <sub>SS_9</sub>
V <sub>DD_9</sub>	95					P		Default: V <sub>DD_9</sub>
PC6	96	63	37	-	-	I/O	5VT	Default: PC6 Alternate: I2S2_MCK <sup>(3)</sup> , TM8_CH1 <sup>(3)</sup> , SDIO_D6 <sup>(3)</sup>

Pin Name	Pins					Pin Type <sup>(1)</sup>	I/O <sup>(2)</sup> Level	Functions description
	LQFP144	LQFP100	LQFP64	LQFP48	QFN36			
								Remap: TM3_CH1
PC7	97	64	38	-	-	I/O	5VT	Default: PC7 Alternate: I2S3_MCK <sup>(3)</sup> , TM8_CH2 <sup>(3)</sup> , SDIO_D7 <sup>(3)</sup> Remap: TM3_CH2
PC8	98	65	39	-	-	I/O	5VT	Default: PC8 Alternate: TM8_CH3 <sup>(3)</sup> , SDIO_D0 <sup>(3)</sup> Remap: TM3_CH3
PC9	99	66	40	-	-	I/O	5VT	Default: PC9 Alternate: TM8_CH4 <sup>(3)</sup> , SDIO_D1 <sup>(3)</sup> Remap: TM3_CH4
PA8	100	67	41	29	20	I/O	5VT	Default: PA8 Alternate: USART1_CK, TM1_CH1, MCO
PA9	101	68	42	30	21	I/O	5VT	Default: PA9 Alternate: USART1_TX, TM1_CH2
PA10	102	69	43	31	22	I/O	5VT	Default: PA10 Alternate: USART1_RX, TM1_CH3
PA11	103	70	44	32	23	I/O	5VT	Default: PA11 Alternate: USART1_CTS, CANRX, USBDM, TM1_CH4
PA12	104	71	45	33	24	I/O	5VT	Default: PA12 Alternate: USART1_RTS, USBDP, CANTX, TM1_ETR
PA13	105	72	46	34	25	I/O	5VT	Default: JTMS, SWDIO Remap: PA13
NC	106	73	-	-	-			-
V <sub>SS_2</sub>	107	74	47	35	26	P		Default: V <sub>SS_2</sub>
V <sub>DD_2</sub>	108	75	48	36	27	P		Default: V <sub>DD_2</sub>
PA14	109	76	49	37	28	I/O	5VT	Default: JTCK, SWCLK Remap: PA14
PA15	110	77	50	38	29	I/O	5VT	Default: JTDI Alternate: SPI3_NSS <sup>(3)</sup> , I2S3_WS <sup>(3)</sup> Remap: TM2_CH1_ETR, PA15, SPI1_NSS
PC10	111	78	51	-	-	I/O	5VT	Default: PC10 Alternate: UART4_TX <sup>(3)</sup> , SDIO_D2 <sup>(3)</sup> Remap: USART3_TX
PC11	112	79	52	-	-	I/O	5VT	Default: PC11 Alternate: UART4_RX <sup>(3)</sup> , SDIO_D3 <sup>(3)</sup> Remap: USART3_RX
PC12	113	80	53	-	-	I/O	5VT	Default: PC12 Alternate: UART5_TX <sup>(3)</sup> , SDIO_CK <sup>(3)</sup> Remap: USART3_CK
PD0	114	81	5	5	2	I/O	5VT	Default: PD0 Alternate: EXMC_D2 Remap: CANRX

Pin Name	Pins					Pin Type <sup>(1)</sup>	I/O <sup>(2)</sup> Level	Functions description
	LQFP144	LQFP100	LQFP64	LQFP48	QFN36			
PD1	115	82	6	6	3	I/O	5VT	Default: PD1 Alternate: EXMC_D3 Remap: CANTX
PD2	116	83	54			I/O	5VT	Default: PD2 Alternate: TM3_ETR, UART5_RX <sup>(3)</sup> , SDIO_CMD <sup>(3)</sup>
PD3	117	84	-	-	-	I/O	5VT	Default: PD3 Alternate: EXMC_CLK Remap: USART2_CTS
PD4	118	85	-	-	-	I/O	5VT	Default: PD4 Alternate: EXMC_NOE Remap: USART2_RTS
PD5	119	86	-	-	-	I/O	5VT	Default: PD5 Alternate: EXMC_NWE Remap: USART2_TX
V <sub>SS_10</sub>	120							Default: V <sub>SS_10</sub>
V <sub>DD_10</sub>	121							Default: V <sub>DD_10</sub>
PD6	122	87	-	-	-	I/O	5VT	Default: PD6 Alternate: EXMC_NWAIT Remap: USART2_RX
PD7	123	88	-	-	-	I/O	5VT	Default: PD7 Alternate: EXMC_NE1/EXMC_NCE2 Remap: USART2_CK
PG9	124					I/O	5VT	Default: PG9 <sup>(3)</sup> Alternate: EXMC_NE2 <sup>(3)</sup> , EXMC_NCE3 <sup>(3)</sup>
PG10	125					I/O	5VT	Default: PG10 <sup>(3)</sup> Alternate: EXMC_NCE4_1 <sup>(3)</sup> , EXMC_NE3 <sup>(3)</sup>
PG11	126					I/O	5VT	Default: PG11 <sup>(3)</sup> Alternate: EXMC_NCE4_2 <sup>(3)</sup>
PG12	127					I/O	5VT	Default: PG12 <sup>(3)</sup> Alternate: EXMC_NE4 <sup>(3)</sup>
PG13	128					I/O	5VT	Default: PG13 <sup>(3)</sup> Alternate: EXMC_A24 <sup>(3)</sup>
PG14	129					I/O	5VT	Default: PG14 <sup>(3)</sup> Alternate: EXMC_A25 <sup>(3)</sup>
V <sub>SS_11</sub>	130					P		Default: V <sub>SS_10</sub>
V <sub>DD_11</sub>	131					P		Default: V <sub>DD_10</sub>
PG15	132					I/O	5VT	Default: PG15
PB3	133	89	55	39	30	I/O	5VT	Default: JTDO Alternate: SPI3_SCK <sup>(3)</sup> , I2S3_CK <sup>(3)</sup> Remap: PB3, TRACESWO, TM2_CH2, SPI1_SCK
PB4	134	90	56	40	31	I/O	5VT	Default: NJTRST Alternate: SPI3_MISO <sup>(3)</sup> Remap: TM3_CH1, PB4, SPI1_MISO



Pin Name	Pins					Pin Type <sup>(1)</sup>	I/O <sup>(2)</sup> Level	Functions description
	LQFP144	LQFP100	LQFP64	LQFP48	QFN36			
PB5	135	91	57	41	32	I/O		Default: PB5 Alternate: I2C1_SMBAL, SPI3_MOSI <sup>(3)</sup> , I2S3_SD <sup>(3)</sup> Remap: TM3_CH2, SPI1_MOSI
PB6	136	92	58	42	33	I/O	5VT	Default: PB6 Alternate: I2C1_SCL, TM4_CH1, Remap: USART1_TX
PB7	137	93	59	43	34	I/O	5VT	Default: PB7 Alternate: I2C1_SDA, TM4_CH2, EXMC_NADV <sup>(3)</sup> Remap: USART1_RX
BOOT0	138	94	60	44	35	I		Default: BOOT0
PB8	139	95	61	45	-	I/O	5VT	Default: PB8 Alternate: TM4_CH3, SDIO_D4 <sup>(3)</sup> , TM10_CH1 <sup>(4)</sup> Remap: I2C1_SCL, CANRX
PB9	140	96	62	46	-	I/O	5VT	Default: PB9 Alternate: TM4_CH4, SDIO_D5 <sup>(3)</sup> , TM11_CH1 <sup>(4)</sup> Remap: I2C1_SDA, CANTX
PE0	141	97	-	-	-	I/O	5VT	Default: PE0 Alternate: TM4_ETR, EXMC_NBL0
PE1	142	98	-	-	-	I/O	5VT	Default: PE1 Alternate: EXMC_NBL1
V <sub>SS_3</sub>	143	99	63	47	36	P		Default: V <sub>SS_3</sub>
V <sub>DD_3</sub>	144	100	64	48	1	P		Default: V <sub>DD_3</sub>

**Notes:**

1. Type: I = input, O = output, P = power.
2. I/O Level: 5VT = 5 V tolerant.
3. Functions are available in GD32F103xC, GD32F103xD, GD32F103xE, GD32F103xF, GD32F103xG, GD32F103xI, GD32F103xK devices.
4. Functions are available in GD32F103xF, GD32F103xG, GD32F103xI, GD32F103xK devices.

## 3 Functional description

### 3.1 ARM<sup>®</sup> Cortex<sup>™</sup>-M3 core

The Cortex<sup>™</sup>-M3 processor is the latest generation of ARM<sup>®</sup> processors for embedded systems. It has been developed to provide a low-cost platform that meets the needs of MCU implementation, with a reduced pin count and low-power consumption, while delivering outstanding computational performance and an advanced system response to interrupts.

- 32-bit ARM<sup>®</sup> Cortex<sup>™</sup>-M3 processor core
- Up to 108 MHz operation frequency
- Single-cycle multiplication and hardware divider
- Integrated Nested Vectored Interrupt Controller (NVIC)
- 24-bit SysTick timer

The Cortex<sup>™</sup>-M3 processor is based on the ARMv7 architecture and supports both Thumb and Thumb-2 instruction sets. Some system peripherals listed below are also provided by Cortex<sup>™</sup>-M3:

- Internal Bus Matrix connected with ICode bus, DCode bus, system bus, Private Peripheral Bus (PPB) and debug accesses (AHB-AP)
- Nested Vectored Interrupt Controller (NVIC)
- Flash Patch and Breakpoint (FPB)
- Data Watchpoint and Trace (DWT)
- Instrument Trace Macrocell (ITM)
- Memory Protection Unit (MPU)
- Serial Wire JTAG Debug Port (SWJ-DP)
- Trace Port Interface Unit (TPIU)

### 3.2 On-chip memory

- Up to 3072 Kbytes of Flash memory
- Up to 96 Kbytes of SRAM

The ARM<sup>®</sup> Cortex<sup>™</sup>-M3 processor is structured in Harvard architecture which can use separate buses to fetch instructions and load/store data. 3072 Kbytes of inner Flash and 96 Kbytes of inner SRAM at most is available for storing programs and data, both accessed (R/W) at CPU clock speed with zero wait states. The Figure 6. GD32F103xx memory map shows the memory map of the GD32F103xx series of devices, including code, SRAM, peripheral, and other pre-defined regions.

### 3.3 Clock, reset and supply management

- Internal 8 MHz factory-trimmed RC and external 4 to 16 MHz crystal oscillator
- Internal 40 KHz RC calibrated oscillator and external 32.768 KHz crystal oscillator
- Integrated system clock PLL
- 2.6 to 3.6 V application supply and I/Os
- Supply Supervisor: POR (Power On Reset), PDR (Power Down Reset), and low voltage detector (LVD)

The Clock Control Unit (CCU) provides a range of oscillator and clock functions. These include speed internal RC oscillator and external crystal oscillator, high speed and low speed two types. Several prescalers allow the configuration of the AHB frequency, the high-speed APB (APB2) and the low-speed APB (APB1) domains. The maximum frequency of the AHB and the high-speed APB domains is 108 MHz. The maximum allowed frequency of the low-speed APB domain is 54 MHz. See Figure 7 for details on the clock tree.

The Reset Control Unit (RCU) controls three kinds of reset: system reset resets the processor core and peripheral IP components. Power-on reset (POR) and power-down reset (PDR) are always active, and ensures proper operation starting from/down to 2.6 V. The device remains in reset mode when  $V_{DD}$  is below a specified threshold. The embedded low voltage detector (LVD) monitors the power supply, compares it to the voltage threshold and generates an interrupt as a warning message for leading the MCU into security.

Power supply schemes:

- $V_{DD}$  range: 2.6 to 3.6 V, external power supply for I/Os and the internal regulator. Provided externally through  $V_{DD}$  pins.
- $V_{SSA}$ ,  $V_{DDA}$  range: 2.6 to 3.6 V, external analog power supplies for ADC, reset blocks, RCs and PLL.  $V_{DDA}$  and  $V_{SSA}$  must be connected to  $V_{DD}$  and  $V_{SS}$ , respectively.
- $V_{BAT}$  range: 1.8 to 3.6 V, power supply for RTC, external clock 32 kHz oscillator and backup registers (through power switch) when  $V_{DD}$  is not present.

### 3.4 Boot modes

At startup, boot pins are used to select one of three boot options:

- Boot from main flash memory (default)
- Boot from system memory
- Boot from on-chip SRAM

The boot loader is located in the internal boot ROM memory (system memory). It is used to reprogram the Flash memory by using USART1 in device mode. It also can be used to transfer and update the Flash memory code, the data and the vector table sections. In default condition, boot from bank 1 of Flash memory is selected. It also supports to boot from bank 2 of Flash memory by setting a bit in option bytes.

## 3.5 Power saving modes

The MCU supports three kinds of power saving modes to achieve even lower power consumption. They are Sleep mode, Deep-sleep mode, and Standby mode. These operating modes reduce the power consumption and allow the application to achieve the best balance between the CPU operating time, speed and power consumption.

- **Sleep mode**

In sleep mode, only the clock of CPU core is off. All peripherals continue to operate and any interrupt/event can wake up the system.

- **Deep-sleep mode**

In Deep-sleep mode, all clocks in the 1.2V domain are off, and all of the high speed crystal oscillator (HSI, HSE) and PLL are disabled. Only the contents of SRAM and registers are retained. Any interrupt or wakeup event from EXTI lines can wake up the system from the Deep-sleep mode including the 16 external lines, the RTC alarm, the LVD output, and USB wakeup. When exiting the Deep-sleep mode, the HSI is selected as the system clock.

- **Standby mode**

In Standby mode, the whole 1.2V domain is power off, the LDO is shut down, and all of HSI, HSE and PLL are disabled. The contents of SRAM and registers (except Backup Registers) are lost. There are four wakeup sources for the Standby mode, including the external reset from NRST pin, the RTC alarm, the IWDG reset, and the rising edge on WKUP pin.

## 3.6 Analog to digital converter (ADC)

- 12-bit SAR ADC engine
- Up to 1 MSPS conversion rate
- Conversion range:  $V_{SSA}$  to  $V_{DDA}$  (2.6 to 3.6 V)
- Temperature sensor

Up to three 12-bit 1  $\mu$ s multi-channel ADCs are integrated in the device. Each is a total of up to 21 multiplexed external channels. An analog watchdog block can be used to detect the channels, which are required to remain within a specific threshold window. A configurable channel management block of analog inputs also can be used to perform conversions in single, continuous, scan or discontinuous mode to support more advanced usages.

The ADCs can be triggered from the events generated by the general-purpose timers (TMx) and the advanced-control timers (TM1 and TM8) with internal connection. The temperature sensor has to generate a voltage that varies linearly with temperature. The conversion range is between  $2.6\text{ V} < V_{DDA} < 3.6\text{ V}$ . The temperature sensor is internally connected to the ADC\_IN16 input channel which is used to convert the sensor output voltage into a digital value.

### 3.7 Digital to analog converter (DAC)

- Two 12-bit DAC converters of independent output channel
- 8-bit or 12-bit mode in conjunction with the DMA controller

The two 12-bit buffered DAC channels are used to generate variable analog outputs. The DACs are designed with integrated resistor strings structure. The DAC channels can be triggered by the timer update outputs or EXTI with DMA support. In dual DAC channel operation, conversions could be done independently or simultaneously. The maximum output value of the DAC is  $V_{REF+}$ .

### 3.8 DMA

- 7 channel DMA 1 controller and 5 channel DMA 2 controller
- Peripherals supported: Timers, ADC, SPIs, I<sup>2</sup>Cs, USARTs, DAC, I<sup>2</sup>S and SDIO

The flexible general-purpose DMA controllers provide a hardware method of transferring data between peripherals and/or memory without intervention from the CPU, thereby freeing up bandwidth for other system functions. Four types of access method are supported: peripheral to peripheral, peripheral to memory, memory to peripheral, memory to memory

Each channel is connected to fixed hardware DMA requests. The priorities of DMA channel requests are determined by software configuration and hardware channel number. Transfer size of source and destination are independent and configurable.

### 3.9 General-purpose inputs/outputs (GPIOs)

- Up to 112 fast GPIOs, all mappable on 16 external interrupt vectors (EXTI)
- Analog input/output configurable
- Alternate function input/output configurable

There are up to 112 general purpose I/O pins (GPIO) in GD32F103xx, named PA0 ~ PA15 and PB0 ~ PB15, PC0 ~ PC15, PD0 ~ PD15, PE0 ~ PE15, PF0-PF15, PG0-PG15 to implement logic input/output functions. Each of the GPIO ports has related control and configuration registers to satisfy the requirements of specific applications. The external interrupts on the GPIO pins of the device have related control and configuration registers in the External Interrupt Control Unit (EXTI). The GPIO ports are pin-shared with other alternative functions (AFs) to obtain maximum flexibility on the package pins. Each of the GPIO pins can be configured by software as output (push-pull or open-drain), as input (with or without pull-up or pull-down) or as peripheral alternate function. Most of the GPIO pins are shared with digital or analog alternate functions. All GPIOs are high-current capable except for analog inputs.

### 3.10 Timers and PWM generation

- Up to two 16-bit advanced-control timer (TM1 & TM8), ten 16-bit general-purpose timers (GPTM), and two 16-bit basic timer (TM6 & TM7)
- Up to 4 independent channels of PWM, output compare or input capture for each GPTM and external trigger input
- 16-bit, motor control PWM advanced-control timer with programmable dead-time generation for output match
- Encoder interface controller with two inputs using quadrature decoder
- 24-bit SysTick timer down counter
- 2 watchdog timers (Independent watchdog and window watchdog)

The advanced-control timer (TM1 & TM8) can be seen as a three-phase PWM multiplexed on 6 channels. It has complementary PWM outputs with programmable dead-time generation. It can also be used as a complete general-purpose timer. The 4 independent channels can be used for

- Input capture
- Output compare
- PWM generation (edge- or center-aligned counting modes)
- Single pulse mode output

If configured as a general-purpose 16-bit timer, it has the same functions as the TMx timer. It can be synchronized with external signals or to interconnect with other GPTMs together which have the same architecture and features.

The general-purpose timer (GPTM), known as TM2 ~ TM5, TM9 ~ TM11, TM12 ~ TM14 can be used for a variety of purposes including general time, input signal pulse width measurement or output waveform generation such as a single pulse generation or PWM output, up to 4 independent channels for input capture/output compare. The GPTM also supports an encoder interface with two inputs using quadrature decoder.

The basic timer, known as TM6 and TM7 are mainly used for DAC trigger generation. They can also be used as a simple 16-bit time base.

The GD32F103xx have two watchdog peripherals, Independent watchdog and window watchdog. They offer a combination of high safety level, flexibility of use and timing accuracy.

The independent watchdog timer includes a 12-bit down-counting counter and a 8-bit prescaler, It is clocked from an independent 40 kHz internal RC and as it operates independently of the main clock, it can operate in stop and standby modes. It can be used either as a watchdog to reset the device when a problem occurs, or as a free-running timer for application timeout management.

The window watchdog is based on a 7-bit down counter that can be set as free-running. It can be used as a watchdog to reset the device when a problem occurs. It is clocked from the main clock. It has an early warning interrupt capability and the counter can be frozen in

debug mode.

The SysTick timer is dedicated for OS, but could also be used as a standard down counter. It features:

- A 24-bit down counter
- Auto reload capability
- Maskable system interrupt generation when the counter reaches 0
- Programmable clock source

### 3.11 Real time clock (RTC)

- 32-bit up-counter with a programmable 20-bit prescaler
- Alarm function
- Interrupt and wake-up event

The real time clock is an independent timer which provides a set of continuously running counters which can be used with suitable software to provide a clock calendar function, and provides an alarm interrupt and an expected interrupt. The RTC features a 32-bit programmable counter for long-term measurement using the compare register to generate an alarm. A 20-bit prescaler is used for the time base clock and is by default configured to generate a time base of 1 second from a clock at 32.768 kHz from external crystal oscillator.

### 3.12 Inter-integrated circuit (I2C)

- Up to two I2C bus interfaces can support both master and slave mode with a frequency up to 400 kHz
- Provide arbitration function, optional PEC (packet error checking) generation and checking
- Supports 7-bit and 10-bit addressing mode and general call addressing mode

The I2C interface is an internal circuit allowing communication with an external I2C interface which is an industry standard two line serial interface used for connection to external hardware. These two serial lines are known as a serial data line (SDA) and a serial clock line (SCL). The I2C module provides two data transfer rates: 100 kHz of standard mode or 400 kHz of the fast mode. The I2C module also has an arbitration detect function to prevent the situation where more than one master attempts to transmit data to the I2C bus at the same time. A CRC-8 calculator is also provided in I2C interface to perform packet error checking for I2C data.

### 3.13 Serial peripheral interface (SPI)

- Up to three SPI interfaces with a frequency of up to 18 MHz
- Support both master and slave mode
- Hardware CRC calculation and transmit automatic CRC error checking

The SPI interface uses 4 pins, among which are the serial data input and output lines (MISO & MOSI), the clock line (SCK) and the slave select line (NSS). Both SPIs can be served by the DMA controller. The SPI interface may be used for a variety of purposes, including simplex synchronous transfers on two lines with a possible bidirectional data line or reliable communication using CRC checking.

### 3.14 Universal synchronous asynchronous receiver transmitter (USART)

- Up to three USARTs and two UARTs with operating frequency up to 4.5 MHz
- Supports both asynchronous and clocked synchronous serial communication modes
- IrDA SIR encoder and decoder support
- LIN break generation and detection
- USARTs support ISO 7816-3 compliant smart card interface

The USART (USART1, USART2 and USART3) and UART (UART4 & UART5) are used to translate data between parallel and serial interfaces, provides a flexible full duplex data exchange using synchronous or asynchronous transfer. It is also commonly used for RS-232 standard communication. The USART includes a programmable baud rate generator which is capable of dividing the system clock to produce a dedicated clock for the USART transmitter and receiver. The USART also supports DMA function for high speed data communication except UART5.

### 3.15 Inter-IC sound (I2S)

- Two I2S bus Interfaces with sampling frequency from 8 kHz to 192 kHz
- Support either master or slave mode

The Inter-IC sound (I2S) bus provides a standard communication interface for digital audio applications by 3-wire serial lines. GD32F103xx contain two I2S-bus interfaces that can be operated with 16/32 bit resolution in master or slave mode, pin multiplexed with SPI2 and SPI3. The audio sampling frequency from 8 kHz to 192 kHz is supported with less than 0.5% accuracy error.



### 3.16 Secure digital input and output card interface (SDIO)

- Support SD2.0/SDIO2.0/MMC4.2 host interface

The Secure Digital Input and Output Card Interface (SDIO) provides access to external SD memory cards specifications version 2.0, SDIO card specification version 2.0 and multi-media card system specification version 4.2 with DMA supported. In addition, this interface is also compliant with CE-ATA digital protocol rev1.1.

### 3.17 Universal serial bus full-speed (USB 2.0 FS)

- One full-speed USB Interface with frequency up to 12 Mbit/s
- Internal main PLL for USB CLK compliantly

The Universal Serial Bus (USB) is a 4-wire bus that supports communication between one or more devices. Full-speed peripheral is compliant with the USB 2.0 specification. The device controller enables 12 Mbit/s data exchange with a USB Host controller. Transaction formatting is performed by the hardware, including CRC generation and checking. The status of a completed USB transfer or error condition is indicated by status registers. An interrupt is also generated if enabled. The dedicated 48 MHz clock is generated from the internal main PLL (the clock source must use a HSE crystal oscillator) and the operating frequency divided from APB1 should be 12 MHz above.

### 3.18 Controller area network (CAN)

- One CAN2.0B interface with communication frequency up to 1 Mbit/s
- Internal main PLL for USB CLK compliantly

Controller area network (CAN) is a method for enabling serial communication in field bus. The CAN protocol has been used extensively in industrial automation and automotive applications. It can receive and transmit standard frames with 11-bit identifiers as well as extended frames with 29-bit identifiers. It has three mailboxes for transmission and two FIFOs of three message deep for reception. It also provides 14 scalable/configurable identifier filter banks for selecting the incoming messages needed and discarding the others.

### 3.19 External memory controller (EXMC)

- Supported external memory: SRAM, PSRAM, ROM and NOR-Flash, NAND Flash and CF card
- Up to 16-bit data bus
- Support to interface with Motorola 6800 and Intel 8080 type LCD directly

External memory controller (EXMC) is an abbreviation of external memory controller. It is

divided in to several sub-banks for external device support, each sub-bank has its own chip selection signal but at one time, only one bank can be accessed. The EXMC support code execution from external memory except NAND Flash and CF card. The EXMC also can be configured to interface with the most common LCD module of Motorola 6800 and Intel 8080 series and reduce the system cost and complexity.

### 3.20 Debug mode

- Serial wire JTAG debug port (SWJ-DP)

The ARM<sup>®</sup> SWJ-DP Interface is embedded and is a combined JTAG and serial wire debug port that enables either a serial wire debug or a JTAG probe to be connected to the target.

### 3.21 Package and operation temperature

- LQFP144 (GD32F103Zx), LQFP100 (GD32F103Vx), LQFP64 (GD32F103Rx), LQFP48 (GD32F103Cx) and QFN36 (GD32F103Tx)
- Operation temperature range: -40°C to +85°C (industrial level)

## 4 Electrical characteristics

### 4.1 Absolute maximum ratings

The maximum ratings are the limits to which the device can be subjected without permanently damaging the device. Note that the device is not guaranteed to operate properly at the maximum ratings. Exposure to the absolute maximum rating conditions for extended periods may affect device reliability.

**Table 3. Absolute maximum ratings**

Symbol	Parameter	Min	Max	Unit
$V_{DD}$	External voltage range	$V_{SS} - 0.3$	$V_{SS} + 3.6$	V
$V_{DDA}$	External analog supply voltage	$V_{SSA} - 0.3$	$V_{SSA} + 3.6$	V
$V_{BAT}$	External battery supply voltage	$V_{SS} - 0.3$	$V_{SS} + 3.6$	V
$V_{IN}$	Input voltage on 5V tolerant pin	$V_{SS} - 0.3$	$V_{SS} + 5.5$	V
	Input voltage on other I/O	$V_{SS} - 0.3$	$V_{DD} + 0.3$	V
$I_{IO}$	Maximum current for GPIO pins	—	25	mA
$T_A$	Operating temperature range	-40	+85	°C
$T_{STG}$	Storage temperature range	-55	+150	°C
$T_J$	Maximum junction temperature	—	125	°C

### 4.2 Recommended DC characteristics

**Table 4. DC operating conditions**

Symbol	Parameter	Conditions	Min	Typ	Max	Unit
$V_{DD}$	Supply voltage	—	2.6	3.3	3.6	V
$V_{DDA}$	Analog supply voltage	Same as $V_{DD}$	2.6	3.3	3.6	V
$V_{BAT}$	Battery supply voltage	—	1.8	—	3.6	V

## 4.3 Power consumption

The power measurements specified in the tables represent that code with data executing from on-chip Flash with the following specifications.

**Table 5. Power consumption characteristics**

Symbol	Parameter	Conditions	Min	Typ	Max	Unit
I <sub>DD</sub>	Supply current (Run mode)	V <sub>DD</sub> =V <sub>BAT</sub> =3.3V, HSE=8MHz, System clock=108 MHz, All peripherals enabled	—	45.2	—	mA
		V <sub>DD</sub> =V <sub>BAT</sub> =3.3V, HSE=8MHz, System clock =108 MHz, All peripherals disabled	—	36.0	—	mA
		V <sub>DD</sub> =V <sub>BAT</sub> =3.3V, HSE=8MHz, System clock =72MHz, All peripherals enabled	—	32.4	—	mA
		V <sub>DD</sub> =V <sub>BAT</sub> =3.3V, HSE=8MHz, System Clock =72 MHz, All peripherals disabled	—	26.1	—	mA
	Supply current (Sleep mode)	V <sub>DD</sub> =V <sub>BAT</sub> =3.3V, HSE=8MHz, CPU clock off, All peripherals enabled	—	23.2	—	mA
		V <sub>DD</sub> =V <sub>BAT</sub> =3.3V, HSE=8MHz, CPU clock off, All peripherals disabled	—	13.9	—	mA
	Supply current (Deep-Sleep mode)	V <sub>DD</sub> =V <sub>BAT</sub> =3.3V, All clock off, LSI on, RTC on, All GPIOs analog mode	—	0.91	1.4	mA
	Supply current (Standby mode)	V <sub>DD</sub> =V <sub>BAT</sub> =3.3V, LDO off, LSE off, LSI on, RTC on	—	24.5	—	μA
I <sub>BAT</sub>	Battery supply current (Standby mode)	V <sub>DD</sub> not available, V <sub>BAT</sub> =3.3V, LDO off, LSE on, LSI off, RTC on	—	13.1	—	μA
		V <sub>DD</sub> not available, V <sub>BAT</sub> =3.3 V, LDO off, LSE off, LSI on, RTC on	—	10.8	—	μA

## 4.4 EMC characteristics

EMS (electromagnetic susceptibility) includes ESD (Electrostatic discharge, positive and negative) and FTB (Burst of Fast Transient voltage, positive and negative) testing result is given in the following table, based on the EMS levels and classes compliant with IEC 61000 series standard.

**Table 6. EMS characteristics**

Symbol	Parameter	Conditions	Level/Class
V <sub>ESD</sub>	Voltage applied to all device pins to induce a functional disturbance	VDD = 3.3 V, TA = +25 °C conforms to IEC 61000-4-2	3B
V <sub>FTB</sub>	Fast transient voltage burst applied to induce a functional disturbance through 100 pF on V <sub>DD</sub> and V <sub>SS</sub> pins	VDD = 3.3 V, TA = +25 °C conforms to IEC 61000-4-4	4A

EMI (Electromagnetic Interference) emission testing result is given in the following table, compliant with IEC 61967-2 standard which specifies the test board and the pin loading.

**Table 7. EMI characteristics**

Symbol	Parameter	Conditions	Tested frequency band	Conditions			Unit
				56M	72M	108M	
S <sub>EMI</sub>	Peak level	VDD = 3.3 V, TA = +25 °C, compliant with IEC 61967-2	0.1 to 2 MHz	<0	<0	<0	dBμV
			2 to 30 MHz	-3.7	-2.8	-1.6	
			30 to 130 MHz	-6.5	-8	-5.5	
			130 MHz to 1GHz	-7	-7	-5	

## 4.5 Electrical sensitivity

The device is strained in order to determine its performance in terms of electrical sensitivity. Electrostatic discharges (ESD) are applied directly to the pins of the sample. Static latch-up (LU) test is based on the two measurement methods.

**Table 8. ESD characteristics**

Symbol	Parameter	Conditions	Min	Typ	Max	Unit
$V_{ESD(HBM)}$	Electrostatic discharge voltage (human body model)	$T_A=25\text{ }^\circ\text{C}$ ; JESD22-A114	—	—	4000	V
$V_{ESD(CDM)}$	Electrostatic discharge voltage (charge device model)	$T_A=25\text{ }^\circ\text{C}$ ; JESD22-C101	—	—	1000	V

**Table 9. Static latch-up characteristics**

Symbol	Parameter	Conditions	Min	Typ	Max	Unit
LU	I-test	$T_A=25\text{ }^\circ\text{C}$ ; JESD78	—	—	$\pm 100$	mA
	$V_{\text{supply}}$ over voltage		—	—	5.4	V

## 4.6 External clock characteristics

**Table 10. High speed external clock (HSE) characteristics**

Symbol	Parameter	Conditions	Min	Typ	Max	Unit
$f_{HSE}$	High Speed External oscillator (HSE) frequency	$V_{DD}=3.3V$	4	8	16	MHz
$C_{HSE}$	Recommended load capacitance on OSC_IN and OSC_OUT		—	20	30	pF
$D_{HSE}$	HSE oscillator duty cycle		48	50	52	%
$I_{DDHSE}$	HSE oscillator operating current	$V_{DD}=3.3V$ , $T_A=25\text{ }^\circ\text{C}$	—	1.4	—	$\mu\text{A}$
$t_{SUHSE}$	HSE oscillator startup time	$V_{DD}=3.3V$ , $T_A=25\text{ }^\circ\text{C}$	—	2	—	ms

**Table 11. Low speed external clock (LSE) characteristics**

Symbol	Parameter	Conditions	Min	Typ	Max	Unit
$f_{LSE}$	Low Speed External oscillator (LSE) frequency	$V_{DD}=V_{BAT}=3.3V$	—	32.768	1000	KHz
$C_{LSE}$	Recommended load capacitance on OSC32_IN and OSC32_OUT		—	—	15	pF
$D_{LSE}$	LSE oscillator duty cycle		48	50	52	%
$I_{DDLSE}$	LSE oscillator operating current	$V_{DD}=V_{BAT}=3.3V$	—	1.4	—	$\mu\text{A}$
$t_{SULSE}$	LSE oscillator startup time	$V_{DD}=V_{BAT}=3.3V$	—	3	—	s

## 4.7 Internal clock characteristics

**Table 12. High speed internal clock (HSI) characteristics**

Symbol	Parameter	Conditions	Min	Typ	Max	Unit
$f_{\text{HSI}}$	High Speed Internal Oscillator (HSI) frequency	$V_{\text{DD}}=3.3\text{V}$ , $T_{\text{A}}=-40^{\circ}\text{C} \sim +85^{\circ}\text{C}$	—	8	—	MHz
$\text{ACC}_{\text{HSI}}$	HSI oscillator Frequency accuracy	Factory-trimmed $V_{\text{DD}}=3.3\text{V}$ , $T_{\text{A}}=25^{\circ}\text{C}$	+1	—	-1	%
$D_{\text{HSI}}$	HSI oscillator duty cycle	$V_{\text{DD}}=3.3\text{V}$ , $f_{\text{HSI}}=8\text{MHz}$	48	50	52	%
$I_{\text{DDHSI}}$	HSI oscillator operating current	$V_{\text{DD}}=3.3\text{V}$ , $f_{\text{HSI}}=8\text{MHz}$	—	80	100	$\mu\text{A}$
$t_{\text{SUHSI}}$	HSI oscillator startup time	$V_{\text{DD}}=3.3\text{V}$ , $f_{\text{HSI}}=8\text{MHz}$	1	—	2	$\mu\text{s}$

**Table 13. Low speed internal clock (LSI) characteristics**

Symbol	Parameter	Conditions	Min	Typ	Max	Unit
$f_{\text{LSI}}$	Low Speed Internal oscillator (LSI) frequency	$V_{\text{DD}}=V_{\text{BAT}}=3.3\text{V}$ , $T_{\text{A}}=-40^{\circ}\text{C} \sim +85^{\circ}\text{C}$	30	40	60	KHz
$I_{\text{DDL SI}}$	LSI oscillator operating current	$V_{\text{DD}}=V_{\text{BAT}}=3.3\text{V}$ , $T_{\text{A}}=25^{\circ}\text{C}$	—	1	2	$\mu\text{A}$
$t_{\text{SULSI}}$	LSI oscillator startup time	$V_{\text{DD}}=V_{\text{BAT}}=3.3\text{V}$ , $T_{\text{A}}=25^{\circ}\text{C}$	—	—	80	$\mu\text{s}$

## 4.8 PLL characteristics

**Table 14. PLL characteristics**

Symbol	Parameter	Conditions	Min	Typ	Max	Unit
$f_{\text{PLLIN}}$	PLL input clock frequency		1	8	25	MHz
$f_{\text{PLL}}$	PLL output clock frequency		16	—	108	MHz
$t_{\text{LOCK}}$	PLL lock time		—	—	100	$\mu\text{s}$

## 4.9 Memory characteristics

**Table 15. Flash memory characteristics**

Symbol	Parameter	Conditions	Min	Typ	Max	Unit
$\text{PE}_{\text{CYC}}$	Number of guaranteed program /erase cycles before failure (Endurance)	$T_{\text{A}}=-40^{\circ}\text{C} \sim +85^{\circ}\text{C}$	100	—	—	kcycles
$t_{\text{RET}}$	Data retention time	$T_{\text{A}}=125^{\circ}\text{C}$	20	—	—	years
$t_{\text{PROG}}$	Word programming time	$T_{\text{A}}=-40^{\circ}\text{C} \sim +85^{\circ}\text{C}$	200	—	400	$\mu\text{s}$
$t_{\text{ERASE}}$	Page erase time	$T_{\text{A}}=-40^{\circ}\text{C} \sim +85^{\circ}\text{C}$	60	100	450	ms
$t_{\text{MERASE}}$	Mass erase time	$T_{\text{A}}=-40^{\circ}\text{C} \sim +85^{\circ}\text{C}$	3.2	—	9.6	s

## 4.10 GPIO characteristics

**Table 16. I/O port characteristics**

Symbol	Parameter	Conditions	Min	Typ	Max	Unit
$V_{IL}$	Low level input voltage	$V_{DD}=2.6V$	-0.3	—	0.9	V
$V_{IH}$	High level input voltage	$V_{DD}=2.6V$	1	—	5.5	V
$V_{OL}$	Low level output voltage	$V_{DD}=2.6V$	—	—	0.2	V
$V_{OH}$	High level output voltage	$V_{DD}=2.6V$	2.3	—	—	V
$R_{PU}$	Internal pull-up resistor	$V_{IN}=V_{SS}$	30	40	50	k $\Omega$
$R_{PD}$	Internal pull-down resistor	$V_{IN}=V_{DD}$	30	40	50	k $\Omega$

## 4.11 ADC characteristics

**Table 17. ADC characteristics**

Symbol	Parameter	Conditions	Min	Typ	Max	Unit
$V_{DDA}$	Operating voltage		2.6	3.3	3.6	V
$V_{ADCIN}$	ADC input voltage range		0	—	$V_{REF+}$	V
$f_{ADC}$	ADC clock		0.6	—	14	MHz
$f_S$	Sampling rate		—	—	1	MHz
$f_{ADCCONV}$	ADC conversion time	$f_{ADC}=14MHz$	1	—	18	$\mu s$
$R_{ADC}$	Input sampling switch resistance		—	—	1	k $\Omega$
$C_{ADC}$	Input sampling capacitance	No pin/pad capacitance included	—	32	—	pF
$t_{SU}$	Startup time		—	—	1	$\mu s$

## 4.12 DAC characteristics

**Table 18. DAC characteristics**

Symbol	Parameter	Conditions	Min	Typ	Max	Unit
$V_{DDA}$	Operating voltage		2.6	3.3	3.6	V
$V_{DACIN}$	DAC input voltage range		0	—	$V_{REF+}$	V
$R_{LOAD}$	Load resistance	Resistive load vs. $V_{SSA}$ with buffer ON	5	—	—	k $\Omega$
$C_{LOAD}$	Load capacitance	No pin/pad capacitance included	—	—	50	pF
DNE	Differential non-linearity error	DAC in 12-bit	—	—	$\pm 3$	LSB
INL	Integral non-linearity	DAC in 12-bit	—	—	$\pm 4$	LSB
Offset	Offset error	DAC in 12-bit, $V_{REF+} = 3.6 V$	—	—	$\pm 12$	LSB
GE	Gain error	DAC in 12-bit	—	—	$\pm 0.5$	%



## 4.13 I2C characteristics

**Table 19. I2C characteristics**

Symbol	Parameter	Conditions	Standard mode		Fast mode		Unit
			Min	Max	Min	Max	
$f_{SCL}$	SCL clock frequency		0	100	0	400	KHz
$t_{SCL(H)}$	SCL clock high time		4.0	—	0.6	—	ns
$t_{SCL(L)}$	SCL clock low time		4.7	—	1.3	—	ns

## 4.14 SPI characteristics

**Table 20. SPI characteristics**

Symbol	Parameter	Conditions	Min	Typ	Max	Unit
$f_{SCK}$	SCK clock frequency		—	—	18	MHz
$t_{SCK(H)}$	SCK clock high time		19	—	—	ns
$t_{SCK(L)}$	SCK clock low time		19	—	—	ns
<b>SPI master mode</b>						
$t_{V(MO)}$	Data output valid time		—	—	25	ns
$t_{H(MO)}$	Data output hold time		2	—	—	ns
$t_{SU(MI)}$	Data input setup time		5	—	—	ns
$t_{H(MI)}$	Data input hold time		5	—	—	ns
<b>SPI slave mode</b>						
$t_{SU(NSS)}$	NSS enable setup time	$f_{PCLK}=54MHz$	74	—	—	ns
$t_{H(NSS)}$	NSS enable hold time	$f_{PCLK}=54MHz$	37	—	—	ns
$t_{A(SO)}$	Data output access time	$f_{PCLK}=54MHz$	0	—	55	ns
$t_{DIS(SO)}$	Data output disable time		3	—	10	ns
$t_{V(SO)}$	Data output valid time		—	—	25	ns
$t_{H(SO)}$	Data output hold time		15	—	—	ns
$t_{SU(SI)}$	Data input setup time		5	—	—	ns
$t_{H(SI)}$	Data input hold time		4	—	—	ns

## 5 Package information

### 5.1 QFN package outline dimensions

Figure 10. QFN package outline

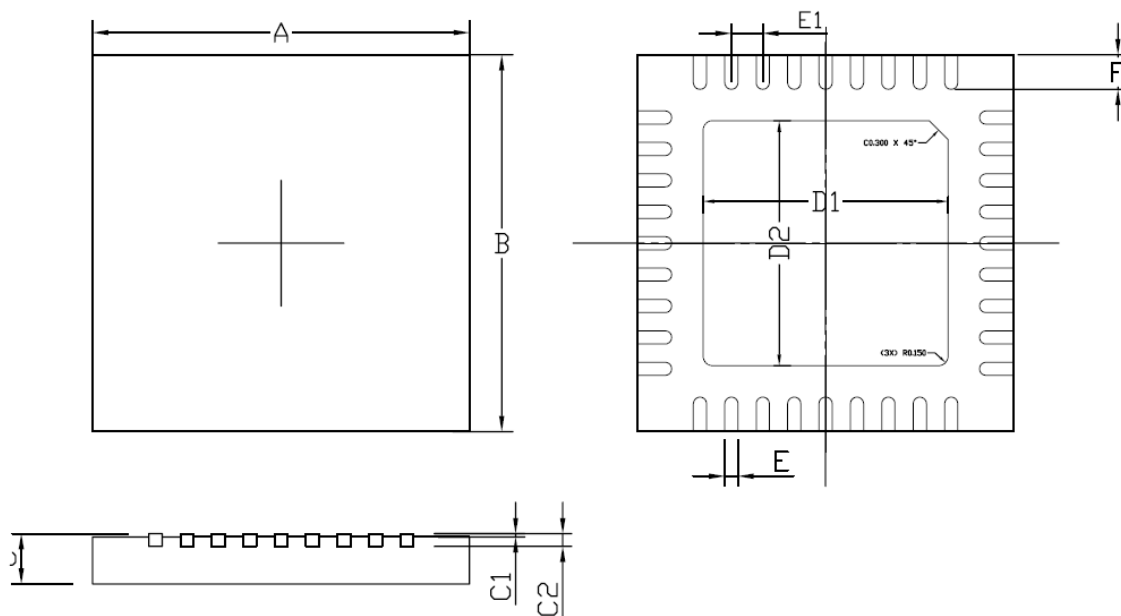


Table 21. QFN package dimensions

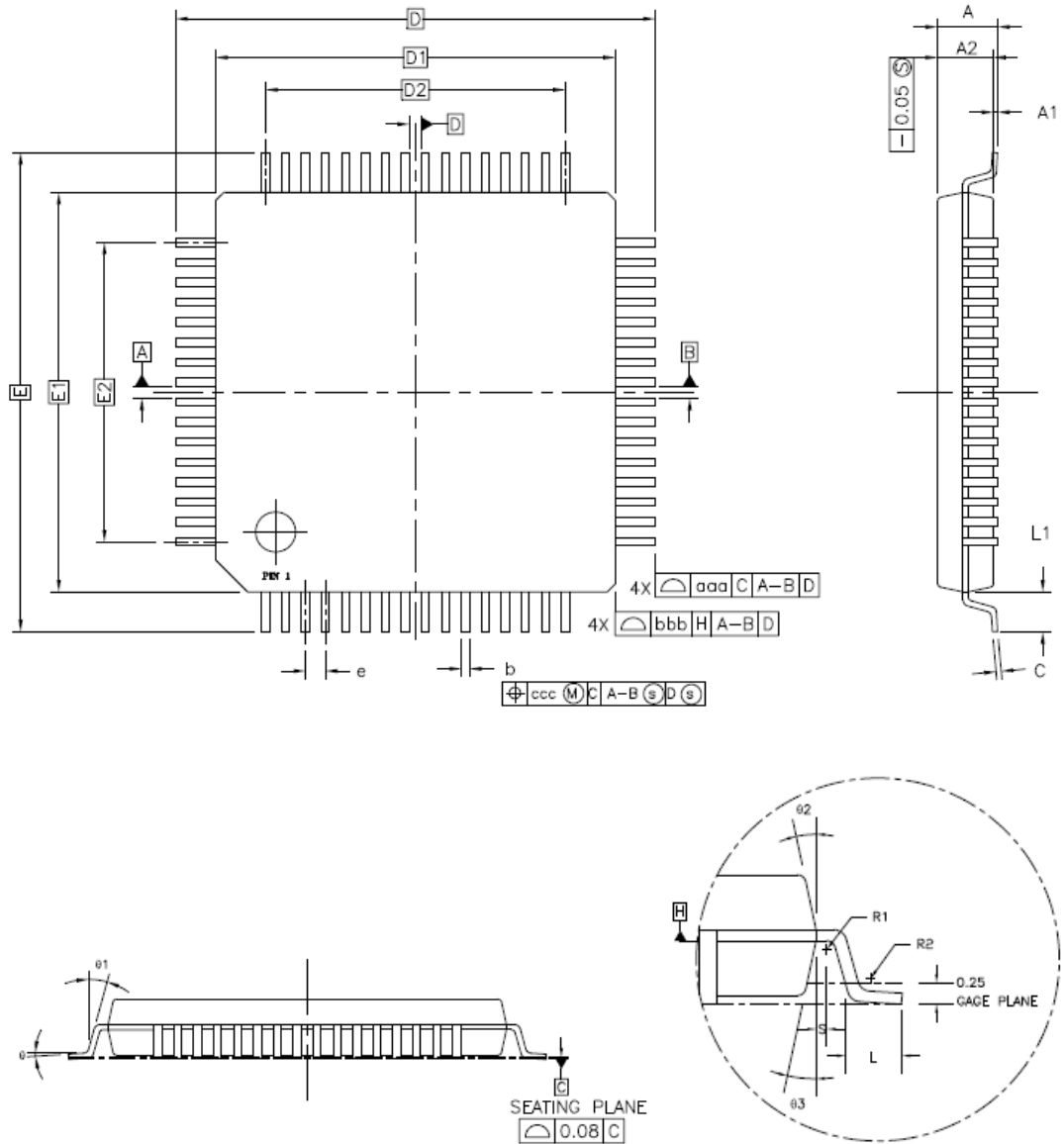
Symbol	Dimensions (mm)		Symbol	Dimensions (mm)	
	min	max		min	max
A	6.0 ± 0.1		D1	3.90 Typ	
B	6.0 ± 0.1		D2	3.90 Typ	
C	0.85	0.95	E	0.210 ± 0.025	
C1	0~0.050		E1	0.500 Typ	
C2	0.203 Typ		F	0.550 Typ	

Note:

1. Formed lead shall be planar with respect to one another within 0.004 inches.
2. Both package length and width do not include mold flash and metal burr.

## 5.2 LQFP package outline dimensions

Figure 11. LQFP package outline



**Table 22. LQFP package dimensions**

Symbol	LQFP48			LQFP64			LQFP100			LQFP144		
	Min	Typ	Max	Min	Typ	Max	Min	Typ	Max	Min	Typ	Max
A	-	-	1.20	-	-	1.60	-	-	1.60	-	-	1.60
A1	0.05	-	0.15	0.05	-	0.15	0.05	-	0.15	0.05	-	0.15
A2	0.95	1.00	1.05	1.35	1.40	1.45	1.35	1.40	1.45	1.35	1.40	1.45
D	-	9.00	-	-	12.00	-	-	16.00	-	-	22.00	-
D1	-	7.00	-	-	10.00	-	-	14.00	-	-	20.00	-
E	-	9.00	-	-	12.00	-	-	16.00	-	-	22.00	-
E1	-	7.00	-	-	10.00	-	-	14.00	-	-	20.00	-
R1	0.08	-	-	0.08	-	-	0.08	-	-	0.08	-	-
R2	0.08	-	0.20	0.08	-	0.20	0.08	-	0.20	0.08	-	0.20
θ	0°	3.5°	7°	0°	3.5°	7°	0°	3.5°	7°	0°	3.5°	7°
θ1	0°	-	-	0°	-	-	0°	-	-	0°	-	-
θ2	11°	12°	13°	11°	12°	13°	11°	12°	13°	11°	12°	13°
θ3	11°	12°	13°	11°	12°	13°	11°	12°	13°	11°	12°	13°
c	0.09	-	0.20	0.09	-	0.20	0.09	-	0.20	0.09	-	0.20
L	0.45	0.60	0.75	0.45	0.60	0.75	0.45	0.60	0.75	0.45	0.60	0.75
L1	-	1.00	-	-	1.00	-	-	1.00	-	-	1.00	-
S	0.20	-	-	0.20	-	-	0.20	-	-	0.20	-	-
b	0.17	0.22	0.27	0.17	0.20	0.27	0.17	0.20	0.27	0.17	0.20	0.27
e	-	0.50	-	-	0.50	-	-	0.50	-	-	0.50	-
D2	-	17.50	-	-	17.50	-	-	7.50	-	-	17.50	-
E2	-	17.50	-	-	17.50	-	-	7.50	-	-	17.50	-
aaa	0.20			0.20			0.20			0.20		
bbb	0.20			0.20			0.20			0.20		
ccc	0.08			0.08			0.08			0.08		

(Original dimensions are in millimeters)

## 6 Ordering Information

**Table 23. Part ordering code for GD32F103xx devices**

Ordering code	Flash (KB)	Package	Package type	Temperature operating range
GD32F103T4U6	16	QFN36	Green	Industrial -40°C to +85°C
GD32F103T6U6	32	QFN36	Green	Industrial -40°C to +85°C
GD32F103T8U6	64	QFN36	Green	Industrial -40°C to +85°C
GD32F103TBU6	128	QFN36	Green	Industrial -40°C to +85°C
GD32F103C4T6	16	LQFP48	Green	Industrial -40°C to +85°C
GD32F103C6T6	32	LQFP48	Green	Industrial -40°C to +85°C
GD32F103C8T6	64	LQFP48	Green	Industrial -40°C to +85°C
GD32F103CBT6	128	LQFP48	Green	Industrial -40°C to +85°C
GD32F103R4T6	16	LQFP64	Green	Industrial -40°C to +85°C
GD32F103R6T6	32	LQFP64	Green	Industrial -40°C to +85°C
GD32F103R8T6	64	LQFP64	Green	Industrial -40°C to +85°C
GD32F103RBT6	128	LQFP64	Green	Industrial -40°C to +85°C
GD32F103RCT6	256	LQFP64	Green	Industrial -40°C to +85°C
GD32F103RDT6	384	LQFP64	Green	Industrial -40°C to +85°C
GD32F103RET6	512	LQFP64	Green	Industrial -40°C to +85°C
GD32F103RFT6	768	LQFP64	Green	Industrial -40°C to +85°C
GD32F103RGT6	1024	LQFP64	Green	Industrial -40°C to +85°C
GD32F103RIT6	2048	LQFP64	Green	Industrial -40°C to +85°C
GD32F103RKT6	3072	LQFP64	Green	Industrial -40°C to +85°C
GD32F103V8T6	64	LQFP100	Green	Industrial -40°C to +85°C
GD32F103VBT6	128	LQFP100	Green	Industrial -40°C to +85°C
GD32F103VCT6	256	LQFP100	Green	Industrial -40°C to +85°C
GD32F103VDT6	384	LQFP100	Green	Industrial -40°C to +85°C
GD32F103VET6	512	LQFP100	Green	Industrial -40°C to +85°C

Ordering code	Flash (KB)	Package	Package type	Temperature operating range
GD32F103VFT6	768	LQFP100	Green	Industrial -40°C to +85°C
GD32F103VGT6	1024	LQFP100	Green	Industrial -40°C to +85°C
GD32F103VIT6	2048	LQFP100	Green	Industrial -40°C to +85°C
GD32F103VKT6	3072	LQFP100	Green	Industrial -40°C to +85°C
GD32F103ZCT6	256	LQFP144	Green	Industrial -40°C to +85°C
GD32F103ZDT6	384	LQFP144	Green	Industrial -40°C to +85°C
GD32F103ZET6	512	LQFP144	Green	Industrial -40°C to +85°C
GD32F103ZFT6	768	LQFP144	Green	Industrial -40°C to +85°C
GD32F103ZGT6	1024	LQFP144	Green	Industrial -40°C to +85°C
GD32F103ZIT6	2048	LQFP144	Green	Industrial -40°C to +85°C
GD32F103ZKT6	3072	LQFP144	Green	Industrial -40°C to +85°C

## 7 Revision History

**Table 24. Revision history**

Revision No.	Description	Date
1.0	Initial Release	Mar.8, 2013
2.0	Characteristics values modified and package data updated	Sept.10, 2013