



IS21ES16G

IS22ES16G

16GB eMMC with eMMC 5.0 Interface
With eMMC 5.0 Interface

DATA SHEET

16GB eMMC with eMMC 5.0 Interface

OCTOBER 2018

FEATURES

- Packaged NAND flash memory with eMMC 5.0 interface
- IS21/22ES16G: 16Gigabyte
- Compliant with eMMC Specification Ver.4.4, 4.41,4.5,5.0
- Bus mode
 - High-speed eMMC protocol
 - Clock frequency: 0-200MHz.
 - Ten-wire bus (clock, 1 bit command, 8 bit data bus) and a hardware reset.
- Supports three different data bus widths : 1 bit(default), 4 bits, 8 bits
 - Data transfer rate: up to 52Mbyte/s (using 8 parallel data lines at 52 MHz)
 - Single data rate : up to 200Mbyte/s @ 200MHz (HS200)
 - Dual data rate : up to 400Mbyte/s @ 200MHz (HS400)
- Operating voltage range :
 - VCCQ = 1.8 V/3.3 V
 - VCC = 3.3 V
- Supports Enhanced Mode where the device can be configured as pseudo-SLC (pSLC) for higher read/write performance, endurance, and reliability.
- Error free memory access
 - Internal error correction code (ECC) to protect data communication
 - Internal enhanced data management algorithm
 - Solid protection from sudden power failure, safe-update operations for data content
- Security
 - Support secure bad block erase and trim commands
 - Enhanced write protection with permanent and partial protection options
- Field Firmware Update(FFU)
- Boot Partition and RPMB Partition
- Enhanced Device Life time
- Pre EOL information
- Production State Awareness
- Power Off Notification for Sleep
- Operating Temperature:
 - Industrial Grade : -40 °C ~ 85 °C
 - Automotive Grade (A1): -40 °C ~ 85 °C
- Storage Temperature: -40 °C ~ 85 °C

- Quality
 - RoHS compliant (for detailed RoHS declaration, please contact your representative.)
- Package
 - 153 FBGA (11.5mm x 13mm x 1.0mm)
 - 100 FBGA (14.0mm x 18.0mm x 1.4mm)



GENERAL DESCRIPTION

ISSI *eMMC* products follow the JEDEC *eMMC* 5.0 standard. It is ideal for embedded storage solutions for Industrial application and automotive application, which require high performance across a wide range of operating temperatures.

eMMC encloses the MLC NAND and *eMMC* controller inside as one JEDEC standard package, providing a standard interface to the host. The *eMMC* controller directly manages NAND flash, including ECC, wear-leveling, IOPS optimization and read sensing.

TABLE OF CONTENTS

| | |
|--|----|
| FEATURES..... | 2 |
| GENERAL DESCRIPTION..... | 3 |
| TABLE OF CONTENTS..... | 4 |
| 1. PERFORMANCE SUMMARY..... | 6 |
| 1.1 SYSTEM PERFORMANCE..... | 6 |
| 1.2 POWER CONSUMPTION..... | 6 |
| 1.3 BOOT PARTITION AND RPMB (REPLAY PROTECTED MEMORY BLOCK)..... | 6 |
| 1.4 USER DENSITY..... | 6 |
| 2. PIN CONFIGURATION..... | 7 |
| 3. PIN DESCRIPTIONS..... | 9 |
| 4. eMMC Device and System..... | 10 |
| 5. REGISTER SETTINGS..... | 11 |
| 5.1 OCR Register..... | 11 |
| 5.2 CID Register..... | 11 |
| 5.3 CSD Register..... | 12 |
| 5.4 Extended CSD Register..... | 14 |
| 5.5 RCA Register..... | 20 |
| 5.6 DSR Register..... | 20 |
| 6. The eMMC BUS..... | 21 |
| 7. POWER-UP..... | 22 |
| 7.1 eMMC POWER-UP..... | 22 |
| 7.2 eMMC POWER-CYCLING..... | 23 |
| 8. ELECTRICAL CHARACTERISTICS..... | 24 |
| 8.1 ABSOLUTE MAXIMUM RATINGS ⁽¹⁾ POWER CONSUMPTION..... | 24 |
| 8.2 Operating Conditions..... | 24 |
| 8.2.1 POWER SUPPLY: eMMC..... | 25 |
| 8.2.2 eMMC Power Supply Voltage..... | 25 |
| 8.2.3 BUS SIGNAL LINE LOAD..... | 26 |
| 8.2.4 HS400 REFERENCE LOAD..... | 27 |
| 8.3 BUS SIGNAL LEVELS..... | 28 |
| 8.3.1 BUS SIGNAL LINE LOAD..... | 28 |
| 8.3.2 PUSH-PULL MODE BUS SIGNAL LEVEL-eMMC..... | 28 |
| 8.3.3 BUS OPERATING CONDITIONS for HS200 & HS400..... | 29 |
| 8.3.4 BUS DEVICE OUTPUT DRIVER REQUIREMENTS for HS200 & 400..... | 29 |
| 8.4 BUS TIMING..... | 29 |
| 8.5 DEVICE INTERFACE TIMING..... | 30 |



8.6 BUS TIMING FOR DAT SIGNALS DURING DUAL DATA RATE OPERATION 32

8.6.1 DUAL DATA RATE INTERFACE TIMINGS..... 32

8.7 BUS TIMING SPECIFICATION IN HS400 MODE..... 33

8.7.1 HS400 DEVICE OUTPUT TIMING 34

9. PACKAGE TYPE INFORMATION 36

10. ORDERING INFORMATION – Valid Part Numbers 38

1. PERFORMANCE SUMMARY

1.1 SYSTEM PERFORMANCE

| Product | Typical value | | | |
|---------------------|------------------------|-------------------------|--------------------|---------------------|
| | Sequential Read (MB/s) | Sequential Write (MB/s) | Random Read (IOPS) | Random Write (IOPS) |
| IS21/22ES16G | 255 | 24.6 | 4972 | 1396 |

Notes:

1. Values given for an 8-bit bus width, running HS400 mode, $V_{CC}=3.3V$, $V_{CCQ}=1.8V$.
2. Performance numbers might be subject to changes without notice.
3. eMMC Write Reliability ON

1.2 POWER CONSUMPTION

| Product | Read (mA) | | Write (mA) | | Standby (mA) |
|---------------------|-----------------|----------------|-----------------|----------------|--------------|
| | $V_{CCQ}(1.8V)$ | $V_{CC}(3.3V)$ | $V_{CCQ}(1.8V)$ | $V_{CC}(3.3V)$ | |
| IS21/22ES16G | 205 | 54 | 84 | 51 | 0.091 |

Notes:

1. Values given for an 8-bit bus width, a clock frequency of 200MHz DDR mode, $V_{CC}=3.6V\pm5\%$, $V_{CCQ}=1.95V\pm5\%$.
2. Standby current is measured at $V_{CC}=3.3V\pm5\%$, $V_{CCQ}=1.8V\pm5\%$, 8-bit bus width without clock frequency.
3. Current numbers might be subject to changes without notice.

1.3 BOOT PARTITION AND RPMB (REPLAY PROTECTED MEMORY BLOCK)

| Option | Boot partition 1 | Boot partition 2 | RPMB |
|----------|------------------|------------------|----------|
| J | 4,096 KB | 4,096 KB | 4,096 KB |
| B | 16,384 KB | 16,384 KB | 4,096 KB |

Note:

1. Please see the ordering information for more detail.

1.4 USER DENSITY

Total user density depends on device type.

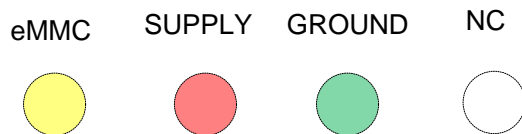
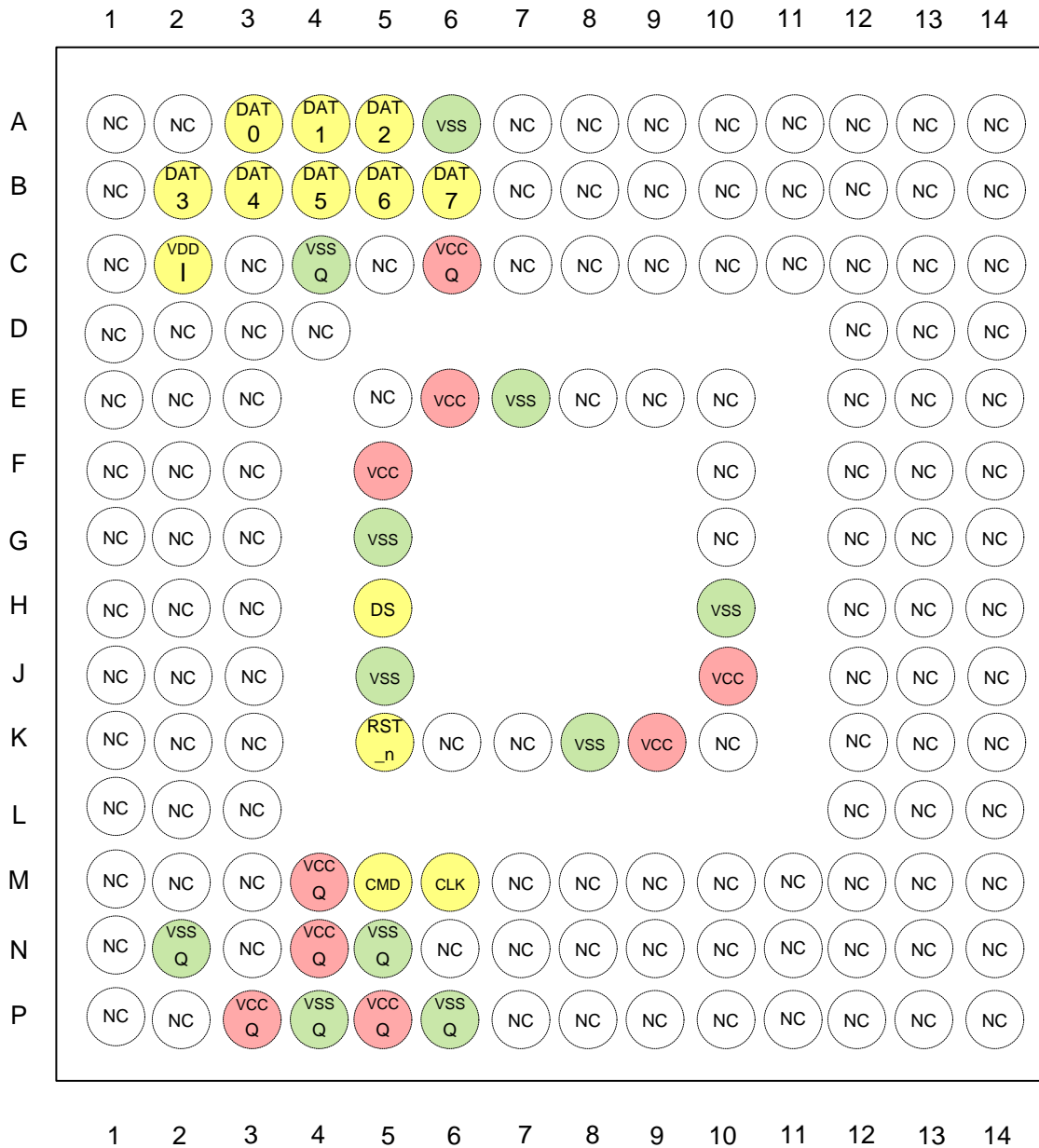
| Product | User Density |
|---------------------|----------------------|
| IS21/22ES16G | 15,636,365,312 Bytes |

Note:

1. Current numbers might be subject to changes without notice.

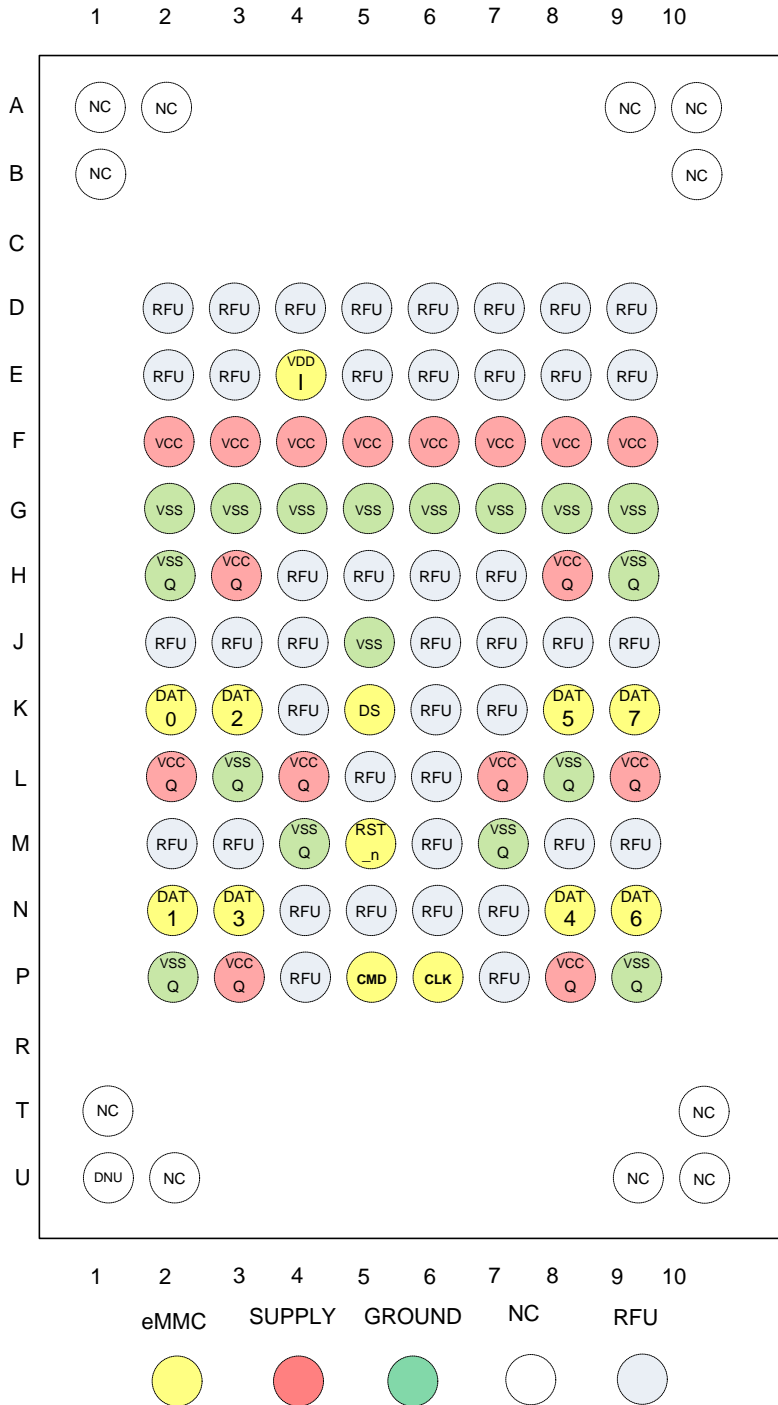
2. PIN CONFIGURATION

153 FBGA Top View (Ball Down)



Note:

- H5 (DS), A6 (VSS) and J5 (VSS) can be left floating if HS400 mode is not used.

100 FBGA Top View (Ball Down)

Note:

1. K5 (DS) and J5 (VSS) can be left floating if HS400 mode is not used.

3. PIN DESCRIPTIONS

| Pin Name | Type ⁽¹⁾ | Pin Function |
|-----------|---------------------|---|
| CLK | I | DATA INPUT Each cycle of this signal directs a one bit transfer on the command and either a one bit (1x) or a two bits transfer (2x) on all the data lines. The frequency may vary between zero and the maximum clock frequency |
| DAT0-DAT7 | I/O/PP | DATA These are bidirectional data channels. The DAT signals operate in push-pull mode. Only the Device or the host is driving these signals at a time. By default, after power up or reset, only DAT0 is used for data transfer. A wider data bus can be configured for data transfer, using either DAT0-DAT3 or DAT0-DAT7, by the eMMC host controller. The eMMC Device includes internal pull-ups for data lines DAT1-DAT7. Immediately after entering the 4-bit mode, the Device disconnects the internal pull ups of lines DAT1, DAT2, and DAT3. Correspondingly, immediately after entering to the 8-bit mode the Device disconnects the internal pull-ups of lines DAT1-DAT7. |
| CMD | I/O/PP/OD | COMMAND/RESPONSE This signal is a bidirectional command channel used for Device initialization and transfer of commands. The CMD signal has two operation modes: open-drain for initialization mode, and push-pull for fast command transfer. Commands are sent from the eMMC host controller to the eMMC Device and responses are sent from the Device to the host. |
| RST# | I | HARDWARE RESET |
| DS | O/PP | Data Strobe This signal is generated by the device and used for output in HS400 mode. The frequency of this signal follows the frequency of CLK. For data output each cycle of this signal directs two bits transfer(2x) on the data - one bit for positive edge and the other bit for negative edge. For CRC status response output and CMD response output (enabled only HS400 enhanced strobe mode), the CRC status is latched on the positive edge only, and don't care on the negative edge. |
| VDDI | | INTERNAL VOLTAGE NODE At least a 0.1uF capacitor is required to connect VDDI to ground. A 1uF capacitor is recommended. Do not tie to supply voltage or ground. |
| VCC | - | POWER SUPPLY VCC is the power supply for Core |
| VCCQ | - | POWER SUPPLY VCC is the power supply for I/O |
| VSS | - | Ground VSS is the ground for Core |
| VSSQ | - | GROUND VSSQ is the ground for I/O |
| RFU | | Reserved For Future Use |
| N.C. | | NO CONNECTION Lead is not internally connected. |

Note:

1. I: input; O: output; PP: push-pull; OD: open-drain; NC: Not connected (or logical high); S: power

4. eMMC Device and System

eMMC consists of a single chip MMC controller and NAND flash memory module. The micro-controller interfaces with a host system allowing data to be written to and read from the NAND flash memory module. The controller allows the host to be independent from details of erasing and programming the flash memory.

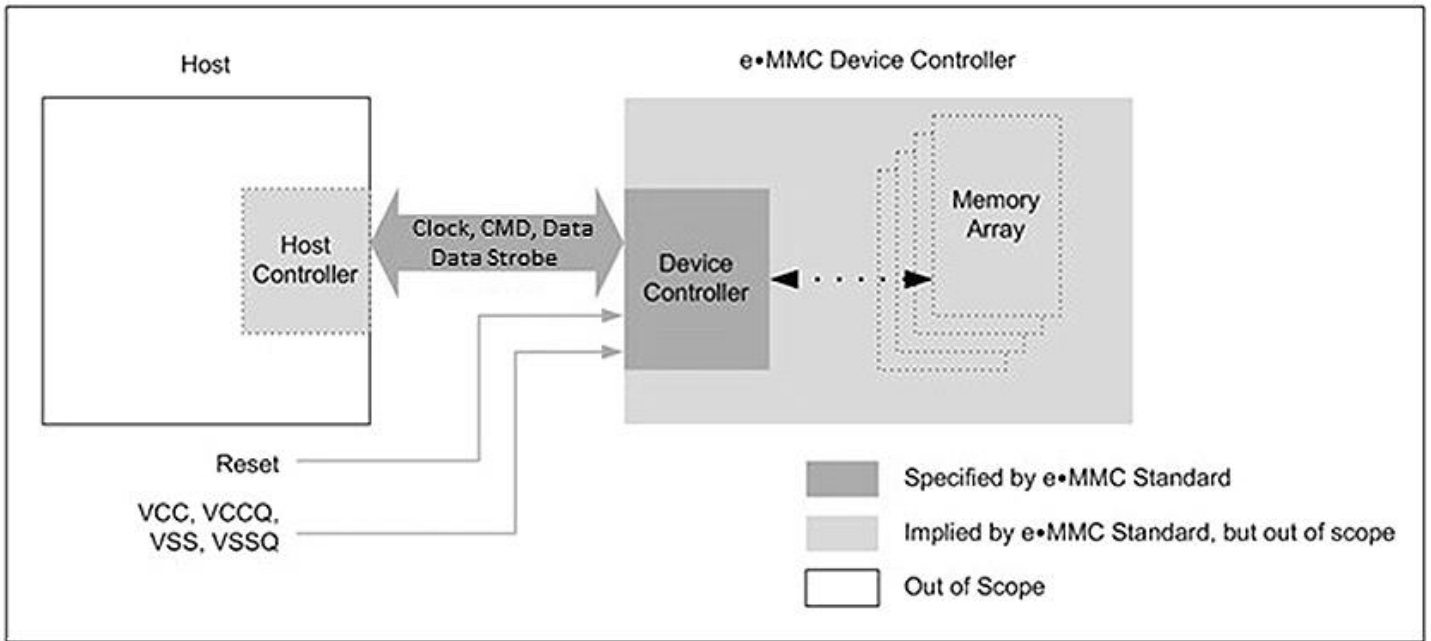


Figure 4.1 eMMC System Overview

5. REGISTER SETTINGS

5.1 OCR Register

The 32-bit operation conditions register (OCR) stores the VDD voltage profile of the Device and the access mode indication. In addition, this register includes a status information bit. This status bit is set if the Device power up procedure has been finished. The OCR register shall be implemented by all Devices.

Table 5.1 OCR Register

| VCCQ Voltage Window | Width (Bits) | OCR Bit | OCR Value |
|--|--------------|---------|------------------|
| Device power up status bit (busy) ⁽¹⁾ | 1 | [31] | Note 1 |
| Access Mode | 2 | [30:29] | 10b(sector mode) |
| Reserved | 5 | [28:24] | 0 0000b |
| VCCQ: 2.7 – 3.6V | 9 | [23:15] | 1 1111 1111b |
| VCCQ: 2.0 – 2.6V | 7 | [14:8] | 000 0000b |
| VCCQ: 1.7 – 1.95V | 1 | [7] | 1b |
| Reserved | 7 | [6:0] | 000 0000b |

Note:

1. This bit is set to LOW if the device has not finished the power up routine.

5.2 CID Register

The Card Identification (CID) register is 128 bits wide. It contains the Device identification information used during the Device identification phase (*eMMC* protocol).

Table 5.2 CID Register

| Name | Field | Width (Bits) | CID Bits | CID Value |
|-----------------------|-------|--------------|-----------|----------------------|
| Manufacturer ID | MID | 8 | [127:120] | 9Dh |
| Reserved | - | 6 | [119:114] | - |
| Device/BGA | CBX | 2 | [113:112] | 1h |
| OEM/application ID | OID | 8 | [111:104] | 1h |
| Product Name | PNM | 48 | [103:56] | IS016G |
| Product Revision | PRV | 8 | [55:48] | 50h |
| Product Serial Number | PSN | 32 | [47:16] | Random by Production |
| Manufacturing Date | MDT | 8 | [15:8] | Month, Year |
| CRC7 Checksum | CRC | 7 | [7:1] | - ⁽¹⁾ |
| Not used, always "1" | - | 1 | [0] | 1h |

Note:

1. The description is same as *eMMC*™ JEDEC standard.

5.3 CSD Register

The Card-Specific Data (CSD) register provides information on how to access the contents stored in eMMC. The CSD registers are used to define the error correction type, maximum data access time, data transfer speed, data format...etc. For details, refer to section 7.3 of the JEDEC Standard Specification No.JESD84-B50.

Table 5.3 CSD Register

| Name | Field | Width (Bits) | CSD Bits | CSD Value ⁽¹⁾ |
|--|---------------------|--------------|-----------|--------------------------|
| CSD Structure | CSD_STRUCTURE | 2 | [127:126] | 3h |
| System Specification Version | SPEC_VERS | 4 | [125:122] | 4h |
| Reserved ⁽²⁾ | - | 2 | [121:120] | - |
| Data Read Access Time 1 | TAAC | 8 | [119:112] | 4Fh |
| Data Read Access Time 2 in CLK Cycles (NSAC x 100) | NSAC | 8 | [111:104] | 1h |
| Maximum Bus Clock Frequency | TRAN_SPEED | 8 | [103:96] | 32h |
| Card Command Classes | CCC | 12 | [95:84] | F5h |
| Maximum Read Data Block Length | READ_BL_LEN | 4 | [83:80] | 9h |
| Partial Blocks for Reads supported | READ_BL_PARTIAL | 1 | [79] | 0h |
| Write Block Misalignment | WRITE_BLK_MISALIGN | 1 | [78] | 0h |
| Read Block Misalignment | READ_BLK_MISALIGN | 1 | [77] | 0h |
| DS Register Implemented | DSR_IMP | 1 | [76] | 0h |
| Reserved ⁽²⁾ | - | 2 | [75:74] | - |
| Device Size | C-SIZE | 12 | [73:62] | FFFh |
| Maximum Read Current at VDD min | VDD_R_CURR_MIN | 3 | [61:59] | 7h |
| Maximum Read Current at VDD max | VDD_R_CURR_MAX | 3 | [58:56] | 7h |
| Maximum Write Current at VDD min | VDD_W_CURR_MIN | 3 | [55:53] | 7h |
| Maximum Write Current at VDD max | VDD_W_CURR_MAX | 3 | [52:50] | 7h |
| Device Size Multiplier | C_SIZE_MULT | 3 | [49:47] | 7h |
| Erase Group Size | ERASE_GRP_SIZE | 5 | [42:46] | 1Fh |
| Erase Group Size Multiplier | ERASE_GRP_SIZE_MULT | 5 | [41:37] | 1Fh |
| Write Protect Group Size | WR_GRP_SIZE | 5 | [36:32] | 0Fh |
| Write Protect Group Enable | WR_GRP_ENABLE | 1 | [31] | 1h |
| Manufacturer Default ECC | DEFAULT_ECC | 2 | [30:29] | 0h |
| Write-Speed Factor | R2W_FACTOR | 3 | [28:26] | 2h |

| Name | Field | Width (Bits) | CSD Bits | CSD Value ⁽¹⁾ |
|-------------------------------------|--------------------|--------------|----------|--------------------------|
| Maximum Write Data Block Length | WRITE_BL_LEN | 4 | [25:22] | 9h |
| Partial Blocks for Writes supported | WRITE_BL_PARTIAL | 1 | [21] | 0h |
| Reserved ⁽²⁾ | - | 4 | [20:17] | - |
| Content Protection Application | CONTENT_PROT_APP | 1 | [16] | 0h |
| File-Format Group | FILE_FORMAT_GRP | 1 | [15] | 0h |
| Copy Flag (OTP) | COPY | 1 | [14] | 0h |
| Permanent Write Protection | PERM_WRITE_PROTECT | 1 | [13] | 0h |
| Temporary Write Protection | TEMP_WRITE_PROTECT | 1 | [12] | 0h |
| File Format | FILE_FORMAT | 2 | [11:10] | 0h |
| ECC | ECC | 2 | [9:8] | 0h |
| CRC | CRC | 7 | [7:1] | 30h |
| Not Used, always "1" | - | 1 | [0] | 1h |

Note:

1. CSD value might be subject to change without notice.

5.4 Extended CSD Register

The Extended CSD register defines the Device properties and selected modes. It is 512 bytes long. The most significant 320 bytes are the Properties segment, which defines the Device capabilities and cannot be modified by the host. The lower 192 bytes are the Modes segment, which defines the configuration the Device is working in. These modes can be changed by the host by means of the SWITCH command. For details, refer to section 7.4 of the JEDEC Standard Specification No.JESD84-B50.

Table 5.4 ECSD Register

| Name | Field | Size (Bytes) | ECSD Bits | ECSD Value |
|---|---|--------------|-----------|------------|
| Reserved | - | 6 | [511:506] | - |
| Extended Security Commands Error | EXT_SECURITY_ERR | 1 | [505] | 0h |
| Supported Command Sets | S_CMD_SET | 1 | [504] | 1h |
| HPI Features | HPI_FEATURES | 1 | [503] | 1h |
| Background Operations Support | BKOPS_SUPPORT | 1 | [502] | 1h |
| Max Packed Read Commands | MAX_PACKED_READS | 1 | [501] | 3Ch |
| Max Packed Write Commands | MAX_PACKED_WRITES | 1 | [500] | 3Ch |
| Data Tag Support | DATA_TAG_SUPPORT | 1 | [499] | 1h |
| Tag Unit Size | TAG_UNIT_SIZE | 1 | [498] | 3h |
| Tag Resources Size | TAG_RES_SIZE | 1 | [497] | 0h |
| Context Management Capabilities | CONTEXT_CAPABILITIES | 1 | [496] | 5h |
| Large Unit Size | LARGE_UNIT_SIZE_M1 | 1 | [495] | 07h |
| Extended Partitions Attribute Support | EXT_SUPPORT | 1 | [494] | 3h |
| Supported Modes | SUPPORT_MODES | 1 | [493] | 1h |
| FFU Features | FFU_FEATURES | 1 | [492] | 0h |
| Operations Code Timeout | OPERATION_CODE_TIEMOUT | 1 | [491] | 0h |
| FFU Argument | FFU_ARG | 4 | [490:487] | 65535 |
| Reserved | - | 181 | [486:306] | - |
| Number of FW Sectors Correctly Programmed | NUMBER_OF_FW_SECTORS_CORRECTLY_PROGRAMMED | 4 | [305:302] | 0h |
| Vendor Proprietary Health Report | VENDOR_PROPRIETARY_HEALTH_REPORT | 32 | [301:270] | 0h |
| Device Life Time Estimation Type B | DEVICE_LIFE_TIME_EST_TYP_B | 1 | [269] | 1h |
| Device Life Time Estimation Type A | DEVICE_LIFE_TIME_EST_TYP_A | 1 | [268] | 1h |
| Pre EOL Information | PRE_EOL_INFO | 1 | [267] | 1h |

| Name | Field | Size (Bytes) | ECSD Bits | ECSD Value ⁽¹⁾ |
|---|---------------------------|--------------|-----------|---------------------------|
| Optimal Read Size | OPTIMAL_READ_SIZE | 1 | [266] | 1h |
| Optimal Write Size | OPTIMAL_WRITE_SIZE | 1 | [265] | 8h |
| Optimal Trim Unit Size | OPTIMAL_TRIM_UNIT_SIZE | 1 | [264] | 1h |
| Device Version | DEVICE_VERSION | 2 | [263:262] | 0h |
| Firmware Version | FIRMWARE_VERSION | 8 | [261:254] | - |
| Power Class for 200MHz, DDR at VCC=3.6V | PWR_CL_DDR_200_360 | 1 | [253] | 0h |
| Cache Size | CACHE_SIZE | 4 | [252:249] | 1024 |
| Generic CMD6 Timeout | GENERIC_CMD6_TIME | 1 | [248] | 19h |
| Power Off Notification (Long) Timeout | POWER_OFF_LONG_TIME | 1 | [247] | FFh |
| Background Operations Status | BKOPS_STATUS | 1 | [246] | 0h |
| Number of Correctly Programmed Sectors | CORRECTLY_PRG_SECTORS_NUM | 4 | [245:242] | 0h |
| First Initialization Time After Partitioning (First CMD1 to Device ready) | INI_TIMEOUT_PA | 1 | [241] | 64h |
| Reserved | - | 1 | [240] | - |
| Power Class for 52MHz, DDR at 3.6V | PWR_CL_DDR_52_360 | 1 | [239] | 0h |
| Power Class for 52MHz, DDR at 1.95V | PWR_CL_DDR_52_195 | 1 | [238] | 0h |
| Power Class for 200MHz at 3.6V | PWR_CL_200_360 | 1 | [237] | 0h |
| Power Class for 200MHz at 1.95V | PWR_CL_200_195 | | [236] | 0h |
| Minimum Write Performance for 8-bit at 52MHz in DDR Mode | MIN_PERF_DDR_W_8_52 | 1 | [235] | 0h |
| Minimum Read Performance for 8-bit at 52MHz in DDR Mode | MIN_PERF_DDR_R_8_52 | 1 | [234] | 0h |
| Reserved | - | 1 | [233] | - |
| TRIM Multiplier | TRIM_MULT | 1 | [232] | 11h |
| Secure Feature Support | SEC_FEATURE_SUPPORT | 1 | [231] | 55h |
| SECURE ERASE Multiplier | SEC_ERASE_MULT | 1 | [230] | 25h |
| SECURE TRIM Multiplier | SEC_TRIM_MULT | 1 | [229] | 25h |
| Boot Information | BOOT_INFO | 1 | [228] | 7h |
| Reserved | - | 1 | [227] | - |
| Boot Partition Size | BOOT_SIZE_MULT | J-Option | [226] | 20h |
| | | B-Option | | 80h |

| Name | Field | Size (Bytes) | ECSD Bits | ECSD Value ⁽¹⁾ |
|---|------------------------------------|--------------|-----------|---------------------------|
| Access Size | ACC_SIZE | 1 | [225] | 7h |
| High-Capacity Erase Unit Size | HC_ERASE_GRP_SIZE | 1 | [224] | 1h |
| High-Capacity Erase Timeout | ERASE_TIMEOUT_MULT | 1 | [223] | 11h |
| Reliable Write-Sector Count | REL_WR_SEC_C | 1 | [222] | 1h |
| High-Capacity Write Protect Group Size | HC_WP_GRP_SIZE | 1 | [221] | 10h |
| Sleep Current (V _{CC}) | S_C_VCC | 1 | [220] | 0Ah |
| Sleep Current (V _{CCQ}) | S_C_VCCQ | 1 | [219] | 0Bh |
| Production State Awareness Timeout | PRODUCTION_STATE_AWARENESS_TIMEOUT | 1 | [218] | 14h |
| Sleep/Awake Timeout | S_A_TIMEOUT | 1 | [217] | 13h |
| Sleep Notification Timeout | SLEEP_NOTIFICATION_TIME | 1 | [216] | 0Fh |
| Sector Count | SEC_COUNT | 4 | [215:212] | 30539776 ⁽⁵⁾ |
| Reserved | - | 1 | [211] | - |
| Minimum Write Performance for 8-bit at 52MHz | MIN_PERF_W_8_52 | 1 | [210] | 8h |
| Minimum Read Performance for 8-bit at 52MHz | MIN_PERF_R_8_52 | 1 | [209] | 8h |
| Minimum Write Performance for 8-bit at 26MHz and 4-bit at 52MHz | MIN_PERF_W_8_26_4_52 | 1 | [208] | 8h |
| Minimum Read Performance for 8-bit at 26MHz and 4-bit at 52MHz | MIN_PERF_R_8_26_4_52 | 1 | [207] | 8h |
| Minimum Write Performance for 4-bit at 26MHz | MIN_PERF_W_4_26 | 1 | [206] | 8h |
| Minimum Read Performance for 4-bit at 26MHz | MIN_PERF_R_4_26 | 1 | [205] | 8h |
| Reserved | - | 1 | [204] | - |
| Power Class for 26MHz at 3.6V | PWR_CL_26_360 | 1 | [203] | 0h |
| Power Class for 52MHz at 3.6V | PWR_CL_52_360 | 1 | [202] | 0h |
| Power Class for 26MHz at 1.95V | PWR_CL_26_195 | 1 | [201] | 0h |
| Power Class for 52MHz at 1.95V | PWR_CL_52_195 | 1 | [200] | 0h |
| Partition Switching Timing | PARTITION_SWITCH_TIME | 1 | [199] | 3h |
| Out-of-Interrupt Busy Timing | OUT_OF_INTERRUPT_TIME | 1 | [198] | 4h |

| Name | Field | Size (Bytes) | ECSD Bits | ECSD Value ⁽¹⁾ |
|--|---------------------|--------------|-----------|---------------------------|
| I/O Driver Strength | DRIVER_STRENGTH | 1 | [197] | 1Fh |
| Card Type | CARD_TYPE | 1 | [196] | 57h |
| Reserved | - | 1 | [195] | - |
| CSD Structure Version | CSD_STRUCTURE | 1 | [194] | 2h |
| Reserved | - | 1 | [193] | - |
| Extended CSD Structure Revision | EXT_CSD_REV | 1 | [192] | 7h |
| Command Set | CMD_SET | 1 | [191] | 0h |
| Reserved | - | 1 | [190] | - |
| Command Set Revision | CMD_SET_REV | 1 | [189] | 0h |
| Reserved | - | 1 | [188] | - |
| Power Class | POWER_CLASS | 1 | [187] | 0h |
| Reserved | - | 1 | [186] | - |
| High-Speed Interface Timing | HS_TIMING | 1 | [185] | 1h ⁽³⁾ |
| Reserved | - | 1 | [184] | - |
| Bus Width Mode | BUS_WIDTH | 1 | [183] | 2h ⁽⁴⁾ |
| Reserved | - | 1 | [182] | - |
| Erased memory Content | ERASED_MEM_CONT | 1 | [181] | 0h |
| Reserved | - | 1 | [180] | - |
| Partition Configuration | PARTITION_CONFIG | 1 | [179] | 0h |
| Boot Configuration Protection | BOOT_CONFIG_PROT | 1 | [178] | 0h |
| Boot Bus Width | BOOT_BUS_CONDITIONS | 1 | [177] | 0h |
| Reserved | - | 1 | [176] | - |
| High-Density Erase Group Definition | ERASE_GROUP_DEF | 1 | [175] | 0h |
| Boot Write Protection Status Registers | BOOT_WP_STATUS | 1 | [174] | 0h |
| Boot Area Write Protection Register | BOOT_WP | 1 | [173] | 0h |
| Reserved | - | 1 | [172] | - |
| User Write Protection Register | USER_WP | 1 | [171] | 0h |
| Reserved | - | 1 | [170] | - |
| Firmware Configuration | FW_CONFIG | 1 | [169] | 0h |
| RPMB Size | RPMB_SIZE_MULT | 1 | [168] | 20h |
| Write Reliability Setting Register | WR_REL_SET | 1 | [167] | 1Fh |
| Write Reliability Parameter Register | WR_REL_PARAM | 1 | [166] | 04h |
| Start Sanitize Operation | SANITIZE_START | 1 | [165] | 0h |
| Manually Start Background Operations | BKOPS_START | 1 | [164] | 0h |

| Name | Field | Size (Bytes) | ECSD Bits | ECSD Value ⁽¹⁾ |
|--|--------------------------------|--------------|-----------|---------------------------|
| Enable Background Operations Handshake | BKOPS_EN | 1 | [163] | 0h |
| Hardware Reset Function | RST_n_FUNCTION | 1 | [162] | 0h |
| HPI Management | HPI_MGMT | 1 | [161] | 0h |
| Partitioning Support | PARTITIONING_SUPPORT | 1 | [160] | 7h |
| Maximum Enhanced Area Size | MAX_ENH_SIZE_MULT | 3 | [159:157] | 932 |
| Partitions Attribute | PATTITIONS_ATTRIBUTE | 1 | [156] | 0h |
| Partitioning Setting | PARTITIONING_SETTING_COMPLETED | 1 | [155] | 0h |
| General-Purpose Partition Size | GP_SIZE_MULT4 | 12 | [154:152] | 0h |
| | GP_SIZE_MULT3 | | [151:149] | 0h |
| | GP_SIZE_MULT2 | | [148:146] | 0h |
| | GP_SIZE_MULT1 | | [145:143] | 0h |
| Enhanced User Data Area Size | ENH_SIZE_MULT | 3 | [142:140] | 0h |
| Enhanced User Data Start Address | ENH_START_ADDR | 4 | [139:136] | 0h |
| Reserved | - | 1 | [135] | - |
| Bad Block Management mode | SEC_BAD_BLK_MGMNT | 1 | [134] | 0h |
| Production State Awareness | PRODUCTION_STATE_AWARENESS | 1 | [133] | 0h |
| Package Case Temperature is controlled | TCASE_SUPPORT | 1 | [132] | 0h |
| Periodic Wake-Up | PERIODIC_WAKEUP | 1 | [131] | 0h |
| Program CID/CSD in DDR Mode Support | PROGRAM_CID_CSD_DDR_SUPPORT | 1 | [130] | 1h |
| Reserved | - | 2 | [129:128] | - |
| Vendor Specific Fields | VENDOR_SPECIFIC_NFIELD | 64 | [127:64] | - |
| Native Sector Size | NATIVE_SECTOR_SIZE | 1 | [63] | 0h |
| Sector Size Emulation | USE_NATIVE_SECTOR | 1 | [62] | 0h |
| Sector Size | DATA_SECTOR_SIZE | 1 | [61] | 0h |
| 1 st Initialization After Disabling Sector Size Emulation | INI_TIMEOUT_EMU | 1 | [60] | 0h |
| Class 6 Command Control | CLASS_6_CTRL | 1 | [59] | 0h |
| Number of Addressed Groups To Be Released | DYNCAP_NEEDED | 1 | [58] | 0h |
| Exception Events Control | EXCEPTION_EVENTS_CTRL | 2 | [57:56] | 0h |
| Exception Events Status | EXCEPTION_EVENTS_STATUS | 2 | [55:54] | 0h |
| Extended Partitions Attribute | EXT_PARTITIONS_ATTRIBUTE | 2 | [53:52] | 0h |

| Name | Field | Size (Bytes) | ECSD Bits | ECSD Value ⁽¹⁾ |
|------------------------------------|------------------------------------|--------------|-----------|---------------------------|
| Context Configuration | CONTEXT_CONF | 15 | [51:37] | 0h |
| Packed Command Status | PACKED_COMMAND_STATUS | 1 | [36] | 0h |
| Packed Command Failure Index | PACKED_FAILURE_INDEX | 1 | [35] | 0h |
| Power Off Notification | POWER_OFF_NOTIFICATION | 1 | [34] | 0h |
| Control To Turn The Cache ON/OFF | CACHE_CTRL | 1 | [33] | 0h |
| Flushing Of The Cache | FLUSH_CACHE | 1 | [32] | 0h |
| Reserved | - | 1 | [31] | - |
| Mode Config | MODE_CONFIG | 1 | [30] | 0h |
| Mode Operation Codes | MODE_OPERATION_STATUS | 1 | [29] | 0h |
| Reserved | - | 2 | [28:27] | - |
| FFU Status | FFU_STATUS | 1 | [26] | 0h |
| Pre Loading Data Size | PRE_LOADING_DATA_SIZE | 4 | [25:22] | 0h |
| Max Pre Loading Data Size | MAX_PRE_LOADING_DATA_SIZE | 4 | [21:18] | 15204352 ⁽⁵⁾ |
| Product State Awareness Enablement | PRODUCT_STATE_AWARENESS_ENABLEMENT | 1 | [17] | 1h |
| Secure Removal Type | SECURE_REMOVAL_TYPE | 1 | [16] | 1h |
| Command Queue Mod Enable | CMQ_MODE_EN | 1 | [15] | 0h |
| Reserved | - | 15 | [14:0] | |

Note:

1. Reserved bits should read as "0".
2. Obsolete values should be don't care.
3. This field is 0 after power-on, H/W reset or software reset, thus selecting the backwards compatible interface timing for the Device. If the host sets 1 to this field, the Device changes the timing to high speed interface timing (see Section 10.6.1 of JESD84-B50). If the host sets value 2, the Device changes its timing to HS200 interface timing (see Section 10.8.1 of JESD854-B50). If the host sets HS_TIMING [3:0] to 0x3, the device changes it's timing to HS400 interface timing (see 10.10).
4. It is set to "0" (1bit data bus) after power up and can be changed by a SWITCH command.
5. Could be changed by Firmware update.

5.5 RCA Register

The writable 16-bit Relative Device Address (RCA) register carries the Device address assigned by the host during the Device identification. This address is used for the addressed host-Device communication after the Device identification procedure. The default value of the RCA register is 0x0001. The value 0x0000 is reserved to set all Devices into the *Stand-by State* with CMD7. For detailed register setting value, please refer to FAE.

5.6 DSR Register

The 16-bit driver stage register (DSR) is described in detail in Section 7.6 of the JEDEC Standard Specification No.JESD84-B50. It can be optionally used to improve the bus performance for extended operating conditions (depending on parameters like bus length, transfer rate or number of Devices). The CSD register carries the information about the DSR register usage. For detailed register setting value, please refer to FAE.

Table 5.1 eMMC Registers

| Name | Width (Bytes) | Description | Implementation |
|---------|---------------|---|----------------|
| CID | 16 | Device Identification number, an individual number for identification. | Mandatory |
| RCA | 2 | Relative Device Address is the Device system address, dynamically assigned by the host during initialization. | Mandatory |
| DSR | 2 | Driver Stage Register, to configure the Device's output drivers. | Optional |
| CSD | 16 | Device Specific Data, information about the Device operation conditions. | Mandatory |
| OCR | 4 | Operation Conditions Register. Used by a special broadcast command to identify the voltage type of the Device. | Mandatory |
| EXT_CSD | 512 | Extended Device Specific Data. Contains information about the Device capabilities and selected modes. Introduced in standard v4.0 | Mandatory |

6. The eMMC BUS

The eMMC bus has ten communication lines and three supply lines:

- CMD : Command is a bidirectional signal. The host and Device drivers are operating in two modes, open drain and push/pull.
- DAT0-7 : Data lines are bidirectional signals. Host and Device drivers are operating in push-pull mode
- CLK : Clock is a host to Device signal. CLK operates in push-pull mode
- Data Strobe: Data Strobe is a Device to host signal. Data Strobe operates in push-pull mode.

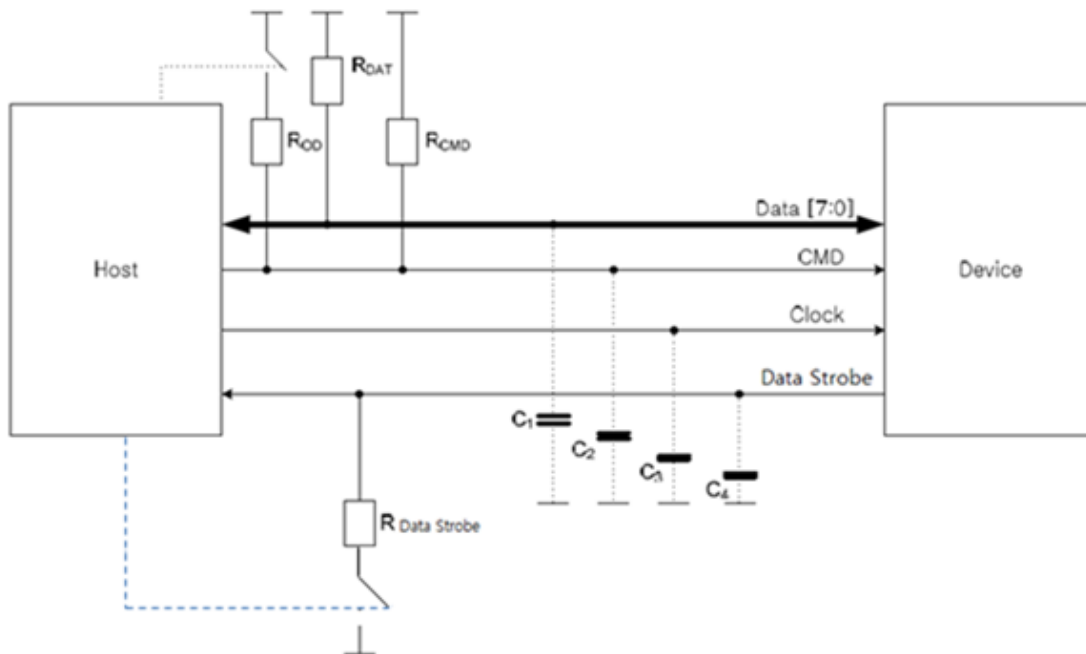


Figure 6.1 BUS Circuitry Diagram

The R_{OD} is switched on and off by the host synchronously to the open-drain and push-pull mode transitions. The host does not have to have open drain drivers, but must recognize this mode to switch on the R_{OD} . R_{DAT} and R_{CMD} are pull-up resistors protecting the CMD and the DAT lines against bus floating device when all device drivers are in a high-impedance mode.

A constant current source can replace the R_{OD} by achieving a better performance (constant slopes for the signal rising and falling edges). If the host does not allow the switchable R_{OD} implementation, a fixed R_{CMD} can be used). Consequently the maximum operating frequency in the open drain mode has to be reduced if the used R_{CMD} value is higher than the minimal one given in.

$R_{Data\ strobe}$ is pull-down resistor used in HS400 device.

7. POWER-UP

7.1 eMMC POWER-UP

An eMMC bus power-up is handled locally in each device and in the bus master. 7.1 shows the power-up sequence and is followed by specific instructions regarding the power-up sequence. Refer to section 10.1 of the JEDEC Standard Specification No. JESD84-B50 for specific instructions regarding the power-up sequence.

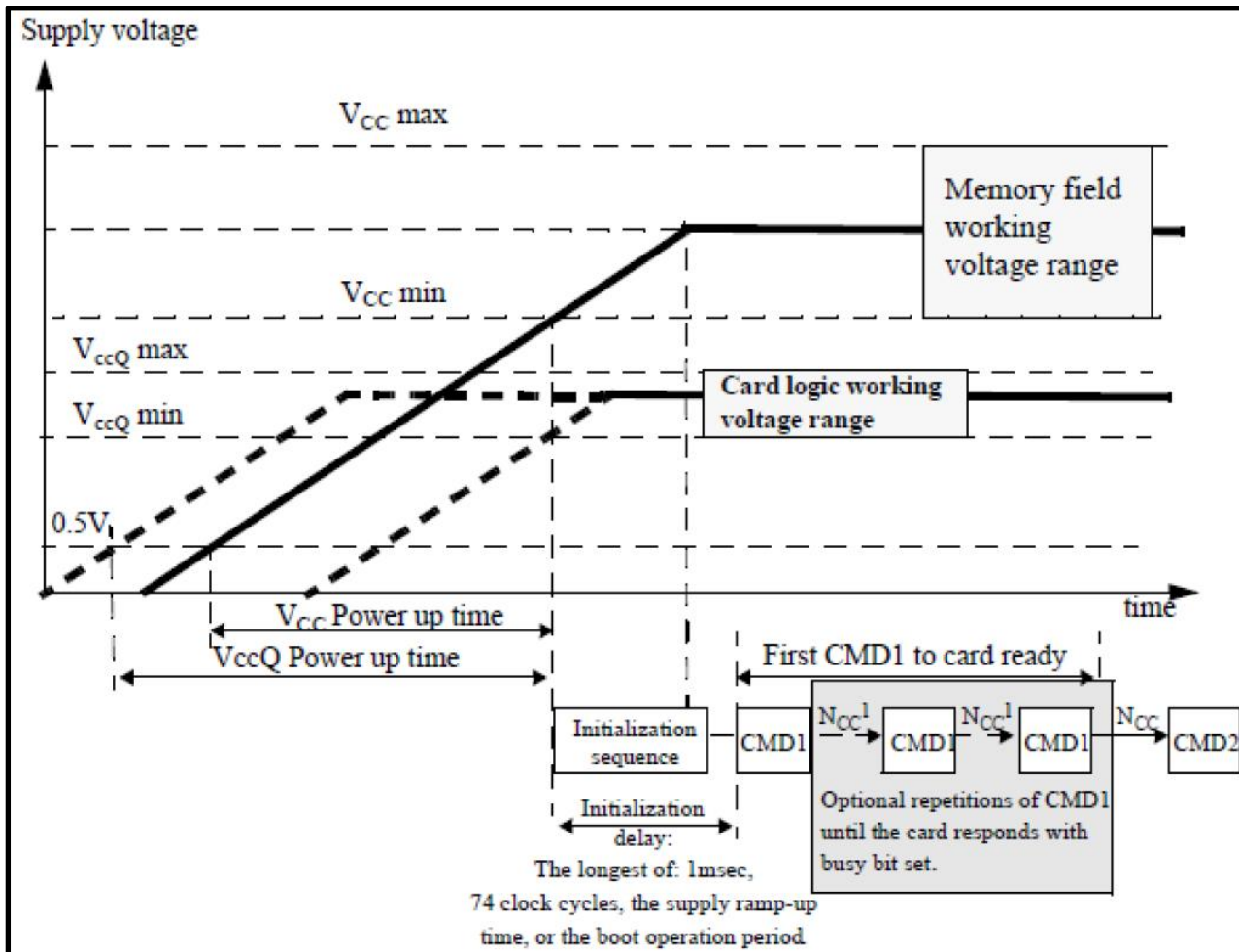


Figure 7.1 eMMC POWER-UP Diagram

7.2 eMMC POWER-CYCLING

The master can execute any sequence of V_{CC} and V_{CCQ} power-up/power-down. However, the master must not issue any commands until V_{CC} and V_{CCQ} are stable within each operating voltage range. After the slave enters sleep mode, the master can power-down V_{CC} to reduce power consumption. It is necessary for the slave to be ramped up to V_{CC} before the host issues CMD5 (SLEEP_AWAKE) to wake the slave unit. For more information about power cycling see Section 10.1.3 of the JEDEC Standard Specification No. JESD84-B50.

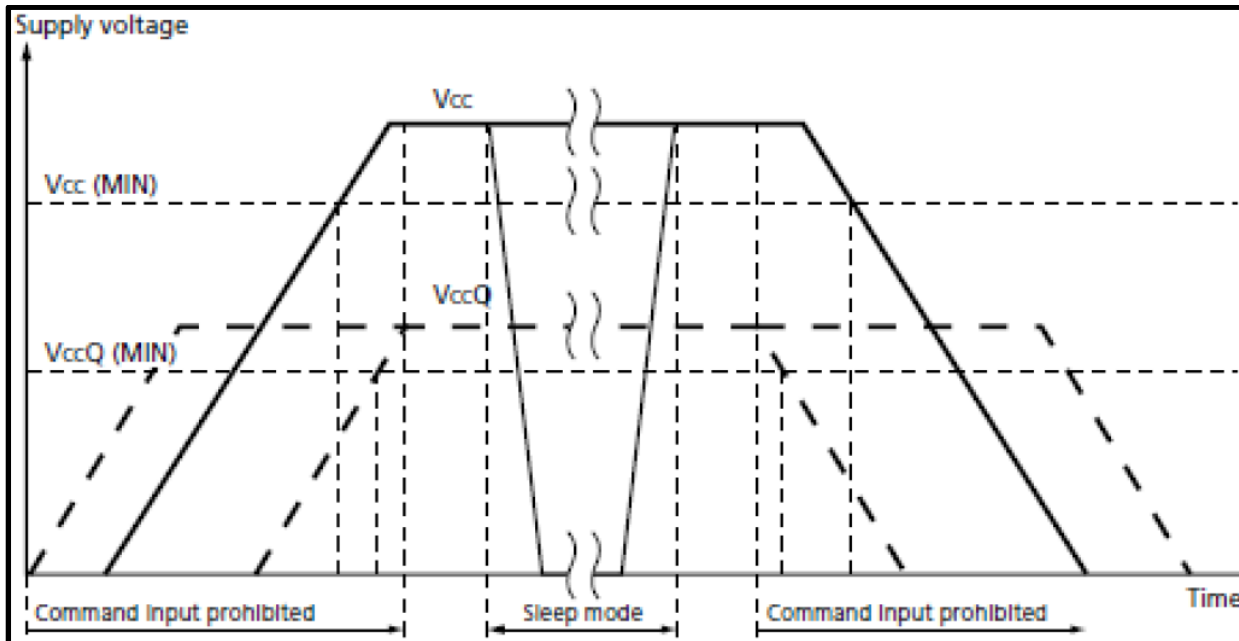


Figure 7.2 eMMC POWER-CYCLE

8. ELECTRICAL CHARACTERISTICS

8.1 ABSOLUTE MAXIMUM RATINGS ⁽¹⁾ POWER CONSUMPTION

| | |
|-------------------------|----------------|
| Input Voltage | -0.6V to +4.6V |
| V _{cc} Supply | -0.6V to +4.6V |
| V _{ccq} Supply | -0.6V to +4.6V |

Notes:

1. Applied conditions greater than those listed in “Absolute Maximum Ratings” may cause permanent damage to the device. This is a stress rating only and functional operation of the device at these or any other conditions above those indicated in the operational sections of this specification is not implied. Exposure to absolute maximum rating conditions for extended periods may affect reliability.

8.2 Operating Conditions

| Parameter | Symbol | Min | Max. | Unit | Remark |
|--|--------|------|---------------------------|------|--------|
| Peak voltage on all lines | | -0.5 | V _{CCQ} + 0.5 | V | |
| All Inputs | | | | | |
| Input Leakage Current (before initialization sequence and/or the internal pull up resistors connected) | | -100 | 100 | μA | |
| Input Leakage Current (after initialization sequence and the internal pull up resistors disconnected) | | -2 | 2 | μA | |
| All Outputs | | | | | |
| Output Leakage Current (before initialization sequence) | | -100 | 100 | μA | |
| Output Leakage Current (after initialization sequence) | | -2 | 2 | μA | |

Notes:

1. Initialization sequence is defined in Section 10.1 of the JEDEC Standard Specification No. JESD84-B50.
2. DS (Data Strobe) pin is excluded.

8.2.1 POWER SUPPLY: eMMC

In the eMMC, VCC is used for the NAND flash device and its interface voltage; VCCQ is for the controller and the MMC interface voltage as shown in Figure 8.1. The core regulator is optional and only required when internal core logic voltage is regulated from VCCQ. A CReg capacitor must be connected to the VDDi terminal to stabilize regulator output on the system.

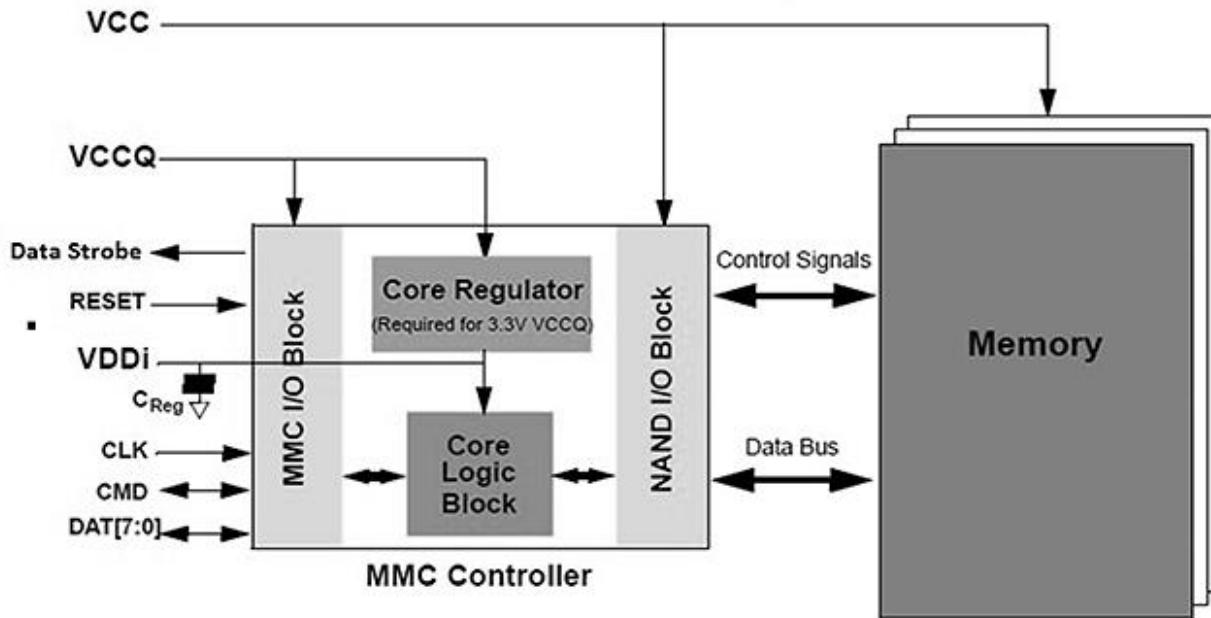


Figure 8.1 eMMC Internal Power Diagram

8.2.2 eMMC Power Supply Voltage

The eMMC supports one or more combinations of VCC and VCCQ as shown in Table 8.1. The VCCQ must be defined at equal to or less than VCC.

Table 8.1 – eMMC Operating Voltage

| Parameter | Symbol | MIN | MAX | Unit | Remarks |
|--------------------------|-------------------|-----|------|------|---------|
| Supply voltage (NAND) | VCC | 2.7 | 3.6 | V | |
| Supply voltage (I/O) | VCCQ | 2.7 | 3.6 | V | |
| | | 1.7 | 1.95 | V | |
| Supply power-up for 3.3V | t _{PRUH} | | 35 | ms | |
| Supply power-up for 1.8V | t _{PRUL} | | 25 | ms | |

The eMMC must support at least one of the valid voltage configurations, and can optionally support all valid voltage configurations.

Table 8.2 – eMMC Voltage Combinations

| | | VCCQ | |
|-----|-----------|------------|------------------------|
| | | 1.7V–1.95V | 2.7V–3.6V ¹ |
| VCC | 2.7V–3.6V | Valid | Valid |

Note:

- VCCQ (I/O) 3.3 volt range is not supported in HS200 /HS400 devices.

8.2.3 BUS SIGNAL LINE LOAD

The total capacitance C_L of each line of the eMMC bus is the sum of the bus master capacitance C_{HOST} , the bus capacitance C_{BUS} itself and the capacitance C_{DEVICE} of eMMC connected to this line:

$$C_L = C_{HOST} + C_{BUS} + C_{DEVICE}$$

The sum of the host and bus capacitances must be under 20pF.

Table 8.3 – Signal Line Load

| Parameter | Symbol | Min | Max | Unit | Remark |
|--------------------------------|--------------|---------|----------|---------|---|
| Pull-up resistance for CMD | R_{CMD} | 4.7 | 50 | Kohm | to prevent bus floating |
| Pull-up resistance for DAT0–7 | R_{DAT} | 10 | 50 | Kohm | to prevent bus floating |
| Bus signal line capacitance | C_L | | 30 | pF | Single Device |
| Single Device capacitance | C_{DEVICE} | | 6 | pF | |
| Maximum signal line inductance | | | 16 | nH | |
| V_{CCQ} decoupling capacitor | | 2.2+0.1 | 4.7+0.22 | μF | It should be located as close as possible to the balls defined in order to minimize connection parasitic |
| VCC capacitor value | | 1+0.1 | 4.7+0.22 | μF | It should be located as close as possible to the balls defined in order to minimize connection parasitic |
| V_{DDI} capacitor value | C_{REG} | 1 | 4.7+0.1 | μF | To stabilize regulator output to controller core logics. It should be located as close as possible to the balls defined in order to minimize connection parasitic |

8.2.4 HS400 REFERENCE LOAD

The circuit in Figure 8.2 shows the reference load used to define the HS400 Device Output Timings and overshoot / undershoot parameters.

The reference load is made up by the transmission line and the $C_{\text{REFERENCE}}$ capacitance.

The reference load is not intended to be a precise representation of the typical system environment nor a depiction of the actual load presented by a production tester.

System designers should use IBIS or other simulation tools to correlate the reference load to system environment.

Manufacturers should correlate to their production test conditions.

Delay time (t_d) of the transmission line has been introduced to make the reference load independent from the PCB technology and trace length.

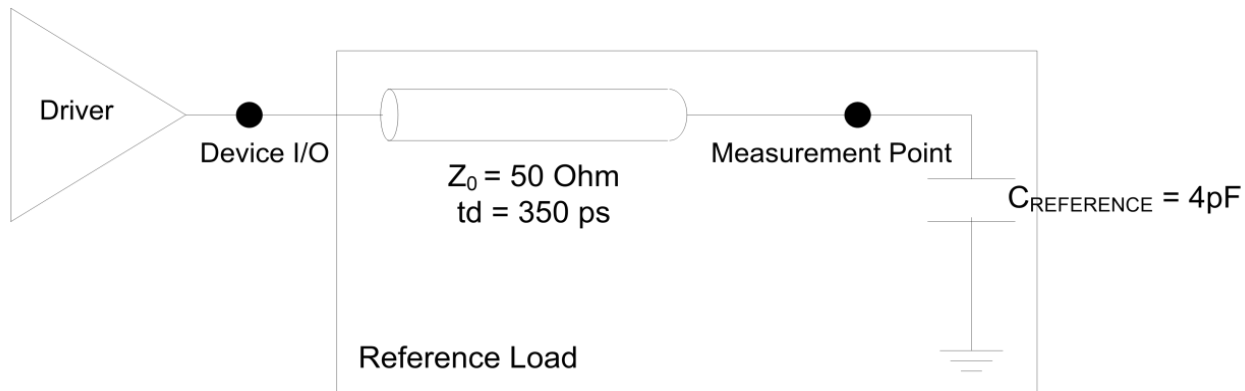


Figure 8.2 HS400 Reference Load

8.3 BUS SIGNAL LEVELS

As the bus can be supplied with a variable supply voltage, all signal levels are related to the supply voltage.

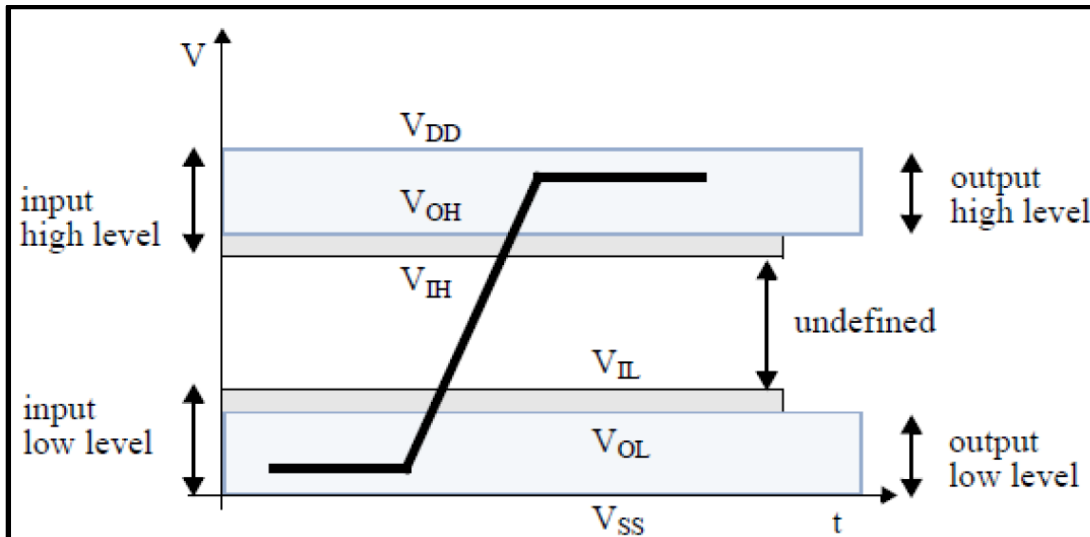


Figure 8.3 BUS Signal Levels

8.3.1 BUS SIGNAL LINE LOAD

The total capacitance C_L of each line of the eMMC bus is the sum of the bus master capacitance C_{HOST} , the bus capacitance C_{BUS} itself and the capacitance C_{DEVICE} of eMMC connected to this line:

$$C_L = C_{HOST} + C_{BUS} + C_{DEVICE}$$

The sum of the host and bus capacitances must be under 20pF.

Table 8.4 – Open-drain Bus Signal Level

| Parameter | Symbol | Min | Max. | Unit | Conditions |
|---------------------|--------|-----------|------|------|--------------------|
| Output HIGH voltage | VOH | VDD – 0.2 | | V | IOH = -100 μ A |
| Output LOW voltage | VOL | | 0.3 | V | IOL = 2 mA |

The input levels are identical with the push-pull mode bus signal levels.

8.3.2 PUSH-PULL MODE BUS SIGNAL LEVEL-eMMC

The device input and output voltages shall be within the following specified ranges for any V_{DD} of the allowed voltage range

For 2.7V-3.6V V_{CCQ} range (compatible with JESD8C.01)

Table 8.5 – Push-pull Signal Level—High-voltage eMMC

| Parameter | Symbol | Min | Max. | Unit | Conditions |
|---------------------|--------|--------------|--------------|------|-------------------------------|
| Output HIGH voltage | VOH | 0.75 * VCCQ | | V | IOH = -100 μ A @ VCCQ min |
| Output LOW voltage | VOL | | 0.125 * VCCQ | V | IOL = 100 μ A @ VCCQ min |
| Input HIGH voltage | VIH | 0.625 * VCCQ | VCCQ + 0.3 | V | |
| Input LOW voltage | VIL | VSS – 0.3 | 0.25 * VCCQ | V | |

For 1.70V – 1.95V V_{CCQ} range (: Compatible with EIA/JEDEC Standard “EIA/JESD8-7 Normal Range” as defined in the following table.

Table 8.6 – Push-pull Signal Level—1.70 -1.95 V_{CCQ} Voltage Range

| Parameter | Symbol | Min | Max. | Unit | Conditions |
|---------------------|--------|--------------------|-------------------|------|------------|
| Output HIGH voltage | VOH | $V_{CCQ} - 0.45V$ | | V | IOH = -2mA |
| Output LOW voltage | VOL | | 0.45V | V | IOL = 2mA |
| Input HIGH voltage | VIH | $0.65 * V_{CCQ}^1$ | $V_{CCQ} + 0.3$ | V | |
| Input LOW voltage | VIL | $V_{SS} - 0.3$ | $0.35 * V_{DD}^2$ | V | |

Notes:

1. $0.7 * V_{DD}$ for MMC™4.3 and older revisions /HS400 devices.
2. $0.3 * V_{DD}$ for MMC™4.3 and older revisions.

8.3.3 BUS OPERATING CONDITIONS for HS200 & HS400

The bus operating conditions for HS200 devices is the same as specified in sections 10.5.1 of JESD84-B50 through 13.5.2 of JESD84-B50. The only exception is that $V_{CCQ}=3.3v$ is not supported.

8.3.4 BUS DEVICE OUTPUT DRIVER REQUIREMENTS for HS200 & 400

Refer to section 10.5.4 of the JEDEC Standard Specification No.JESD84-B50.

8.4 BUS TIMING

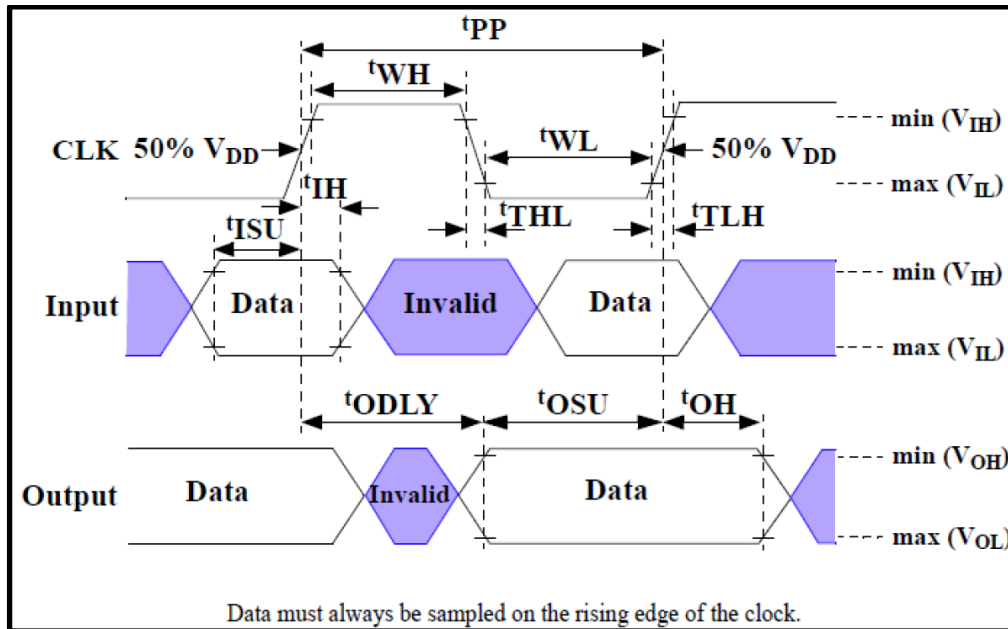


Figure 8.4 BUS Timing Diagram

8.5 DEVICE INTERFACE TIMING

Table 8.7 – High-speed Device Interface Timing

| Parameter | Symbol | Min | Max. | Unit | Remark |
|--|--------|-----|-----------------|------|----------------------------------|
| Clock CLK ¹ | | | | | |
| Clock frequency Data Transfer Mode (PP) ² | fPP | 0 | 52 ³ | MHz | CL ≤ 30 pF Tolerance: +100KHz |
| Clock frequency Identification Mode (OD) | fOD | 0 | 400 | kHz | Tolerance: +20KHz |
| Clock high time | tWH | 6.5 | | ns | CL ≤ 30 pF |
| Clock low time | tWL | 6.5 | | ns | CL ≤ 30 pF |
| Clock rise time ⁴ | tTLH | | 3 | ns | CL ≤ 30 pF |
| Clock fall time | tTHL | | 3 | ns | CL ≤ 30 pF |
| Inputs CMD, DAT (referenced to CLK) | | | | | |
| Input set-up time | tISU | 3 | | ns | CL ≤ 30 pF |
| Input hold time | tIH | 3 | | ns | CL ≤ 30 pF |
| Outputs CMD, DAT (referenced to CLK) | | | | | |
| Output delay time during data transfer | tODLY | | 13.7 | ns | CL ≤ 30 pF |
| Output hold time | tOH | 2.5 | | ns | CL ≤ 30 pF |
| Signal rise time ⁵ | tRISE | | 3 | ns | CL ≤ 30 pF |
| Signal fall time | tFALL | | 3 | ns | CL ≤ 30 pF |

Notes:

1. CLK timing is measured at 50% of VDD devices.
2. eMMC shall support the full frequency range from 0-26Mhz or 0-52MH.
3. Device can operate as high-speed Device interface timing at 26 MHz clock frequency.
4. CLK rise and fall times are measured by min (VIH) and max (VIL).
5. Inputs CMD DAT rise and fall times are measured by min (VIH) and max (VIL) and outputs CMD DAT rise and fall times are measured by min (VOH) and max (VOL).

Table 8.8 – Backward-compatible Device Interface Timing

| Clock CLK ² | | | | | |
|--|------|------|-----|-----|------------|
| Clock frequency Data Transfer Mode (PP) ³ | fPP | 0 | 26 | MHz | CL ≤ 30 pF |
| Clock frequency Identification Mode (OD) | fOD | 0 | 400 | kHz | |
| Clock high time | tWH | 10 | | | CL ≤ 30 pF |
| Clock low time | tWL | 10 | | ns | CL ≤ 30 pF |
| Clock rise time ⁴ | tTLH | | 10 | ns | CL ≤ 30 pF |
| Clock fall time | tTHL | | 10 | ns | CL ≤ 30 pF |
| Inputs CMD, DAT (referenced to CLK) | | | | | |
| Input set-up time | tISU | 3 | | ns | CL ≤ 30 pF |
| Input hold time | tIH | 3 | | ns | CL ≤ 30 pF |
| Outputs CMD, DAT (referenced to CLK) | | | | | |
| Output set-up time ⁵ | tOSU | 11.7 | | ns | CL ≤ 30 pF |
| Output hold time ⁵ | tOH | 8.3 | | ns | CL ≤ 30 pF |

Notes:

1. The Device must always start with the backward-compatible interface timing. The timing mode can be switched to high-speed interface timing by the host sending the SWITCH command (CMD6) with the argument for high-speed interface select.
2. CLK timing is measured at 50% of VDD.
3. For compatibility with Devices that support the v4.2 standard or earlier, host should not use > 26 MHz before switching to high-speed interface timing.
4. CLK rise and fall times are measured by min (VIH) and max (VIL).
5. tOSU and tOH are defined as values from clock rising edge. However, there may be Devices or devices which utilize clock falling edge to output data in backward compatibility mode. Therefore, it is recommended for hosts either to settWL value as long as possible within the range which will not go over tCK-tOH(min) in the system or to use slow clock frequency, so that host could have data set up margin for those devices. In this case, each device which utilizes clock falling edge might show the correlation either between tWL and tOSU or between tCK and tOSU for the device in its own datasheet as a note or its application notes.

8.6 BUS TIMING FOR DAT SIGNALS DURING DUAL DATA RATE OPERATION

These timings apply to the DAT [7:0] signals only when the device is configured for dual data mode operation. In this dual data mode, the DAT signals operate synchronously of both the rising and the falling edges of CLK. The CMD signal still operates synchronously of the rising edge of CLK and therefore complies with the bus timing specified in section 10.5 of JEDEC Standard Specification No. JESD84-B50, therefore there is no timing change for the CMD signal.

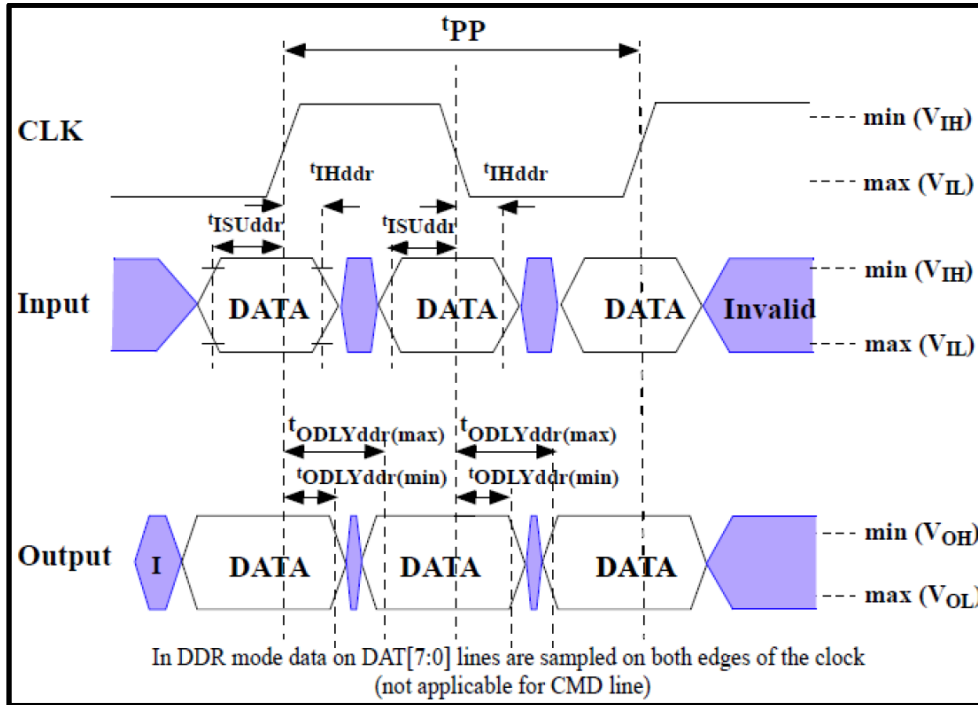


Figure 8.5 Timing Diagram; Data Input/Output in Dual Data Rate Mode

8.6.1 DUAL DATA RATE INTERFACE TIMINGS

Table 8.9 – High-speed Dual Data Rate Interface Timing

| Parameter | Symbol | Min | Max. | Unit | Remark |
|---|----------------------|-----|------|------|------------------------------|
| Input CLK ¹ | | | | | |
| Clock duty cycle | | 45 | 55 | % | Includes jitter, phase noise |
| Input DAT (referenced to CLK-DDR mode) | | | | | |
| Input set-up time | t _{ISUddr} | 2.5 | | ns | CL ≤ 20 pF |
| Input hold time | t _{IHddr} | 2.5 | | ns | CL ≤ 20 pF |
| Output DAT (referenced to CLK-DDR mode) | | | | | |
| Output delay time during data transfer | t _{ODLYddr} | 1.5 | 7 | ns | CL ≤ 20 pF |
| Signal rise time (all signals) ² | t _{RISE} | | 2 | ns | CL ≤ 20 pF |
| Signal fall time (all signals) | t _{FALL} | | 2 | ns | CL ≤ 20 pF |

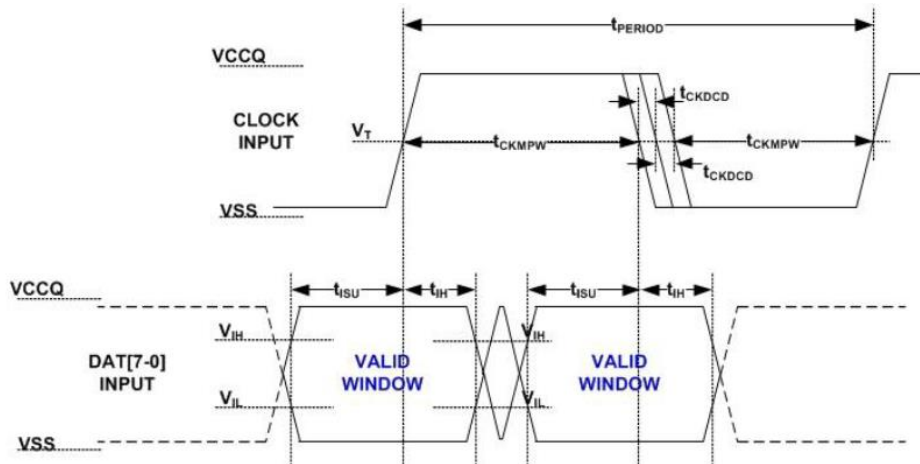
Notes:

1. CLK timing is measured at 50% of VDD.
2. Inputs CMD, DAT rise and fall times are measured by min (V_{IH}) and max (V_{IL}), and outputs CMD, DAT rise and fall times are measured by min (V_{OH}) and max (V_{OL})

8.7 BUS TIMING SPECIFICATION IN HS400 MODE

DUAL DATA RATE INTERFACE TIMINGS

The CMD input timing for HS400 mode is the same as CMD input timing for HS200 mode. Figure 8.6 and Table 8.10 show Device input timing.



Notes:

1. t_{ISU} and t_{IH} measured at $V_{IL}(\max.)$ and $V_{IH}(\min.)$.
2. V_{IH} denotes $V_{IH}(\min.)$ and V_{IL} denotes $V_{IL}(\max.)$.

Figure 8.6 HS400 Device Data Input Timing

Table 8.10 – HS400 Device input timing

| Parameter | Symbol | Min | Max | Unit | Remark |
|-------------------------------|--------------|-------|-----|------|--|
| Input CLK | | | | | |
| Cycle time data transfer mode | t_{PERIOD} | 5 | | | 200MHz (Max), between rising edges With respect to V_T . |
| Slew rate | SR | 1.125 | | V/ns | With respect to V_{IH}/V_{IL} . |
| Duty cycle distortion | t_{CKDCD} | 0.0 | 0.3 | ns | Allowable deviation from an ideal 50% duty cycle. With respect to V_T . Includes jitter, phase |
| Minimum pulse width | t_{CKMPW} | 2.2 | | ns | With respect to V_T . |
| Input DAT (referenced to CLK) | | | | | |
| Input set-up time | t_{ISUddr} | 0.4 | | ns | $C_{Device} \leq 6pF$ With respect to V_{IH}/V_{IL} . |
| Input hold time | t_{IHddr} | 0.4 | | ns | $C_{Device} \leq 6pF$ With respect to V_{IH}/V_{IL} . |
| Slew rate | SR | 1.125 | | V/ns | With respect to V_{IH}/V_{IL} . |

8.7.1 HS400 DEVICE OUTPUT TIMING

The Data Strobe is used to read data in HS400 mode. The Data Strobe is toggled only during data read or CRC status response

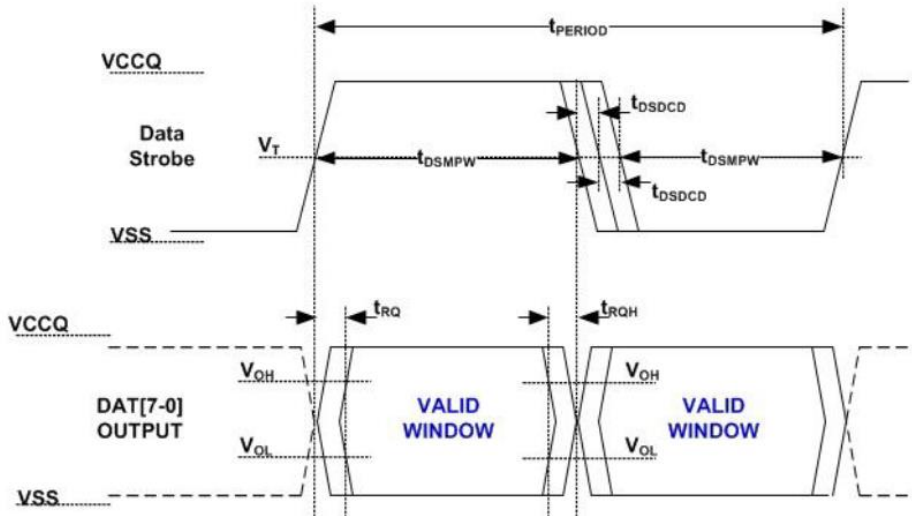


Figure 8.7 HS400 Device Output Timing

Table 8.11 – HS400 Device Output timing

| Parameter | Symbol | Min | Max | Unit | Remark |
|--|---------|-------|-----|---------|---|
| Data Strobe | | | | | |
| Cycle time data transfer mode | tPERIOD | 5 | | | 200MHz(Max), between rising edges With respect to VT |
| Slew rate | SR | 1.125 | | V/ns | With respect to VOH/VOL and HS400 reference load |
| Duty cycle distortion | tDSDCD | 0.0 | 0.2 | ns | Allowable deviation from the input CLK duty cycle distortion (tCKDCD) With respect to VT Includes jitter, phase noise |
| Minimum pulse width | tDSMPW | 2.0 | | ns | With respect to VT |
| Read pre-amble | tRPRE | 0.4 | - | tPERIOD | Max value is specified by manufacturer. Value up to infinite is valid |
| Read post-amble | tRPST | 0.4 | - | tPERIOD | Max value is specified by manufacturer. Value up to infinite is valid |
| Output DAT (referenced to Data Strobe) | | | | | |
| Output skew | tRQ | | 0.4 | ns | With respect to VOH/VOL and HS400 reference load |
| Output hold skew | tRQH | | 0.4 | ns | With respect to VOH/VOL and HS400 reference load. |
| Slew rate | SR | 1.125 | | V/ns | With respect to VOH/VOL and HS400 reference load |

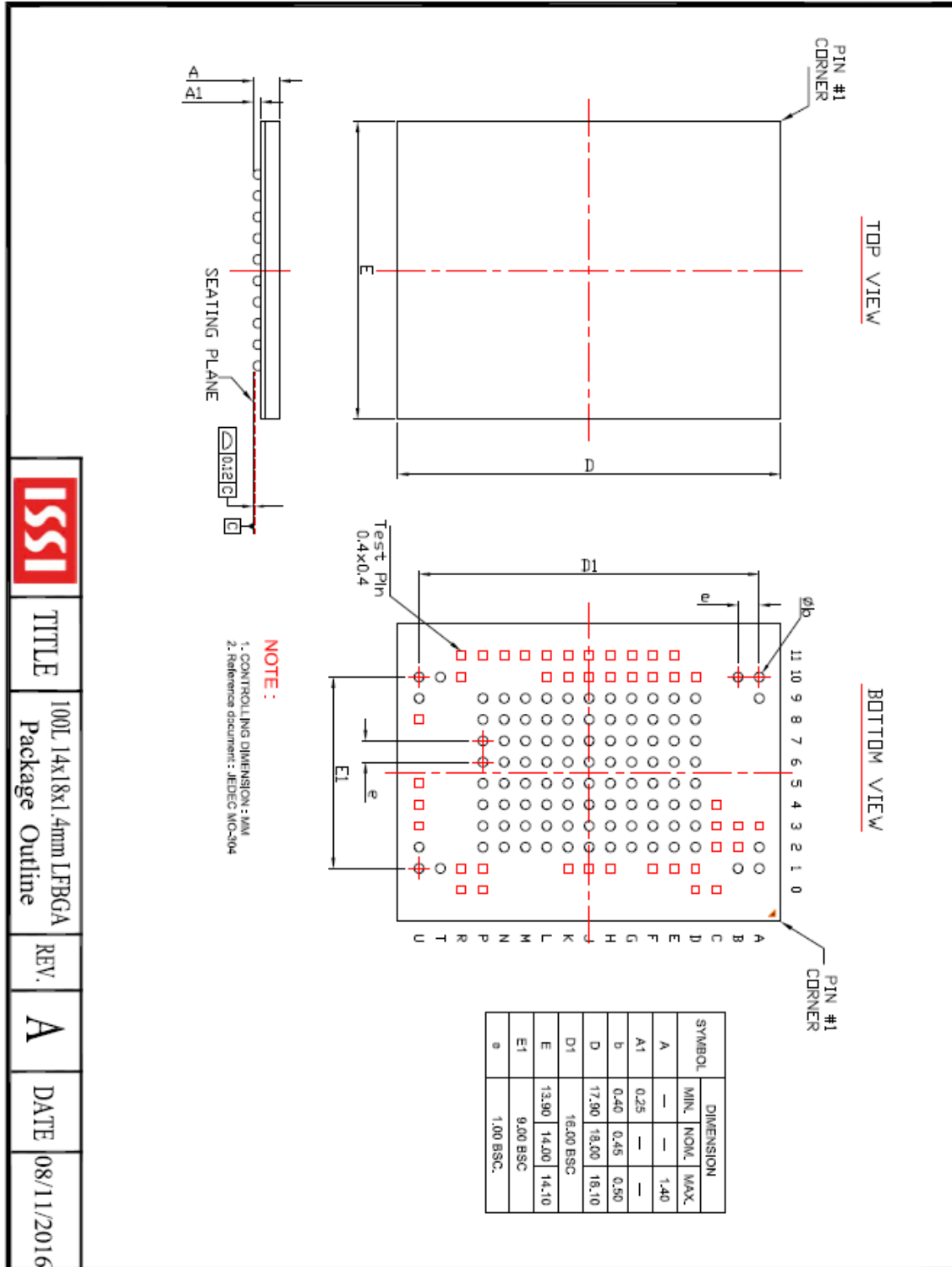
NOTE 1: Measured with HS400 reference load

Table 8.12 – HS400 Capacitance

| Parameter | Symbol | Min | Type | Max | Unit | Remark |
|---------------------------------------|---------|-----|------|--------|------|--------|
| Pull-up resistance for CMD | RCMD | 4.7 | | 100(1) | Kohm | |
| Pull-up resistance for DAT0-7 | RDAT | 10 | | 100(1) | Kohm | |
| Pull-down resistance for Data Strobe | RDS | 10 | | 100(1) | Kohm | |
| Internal pull up resistance DAT1-DAT7 | Rint | 10 | | 150 | Kohm | |
| Single Device capacitance | CDevice | | | 6 | pF | |

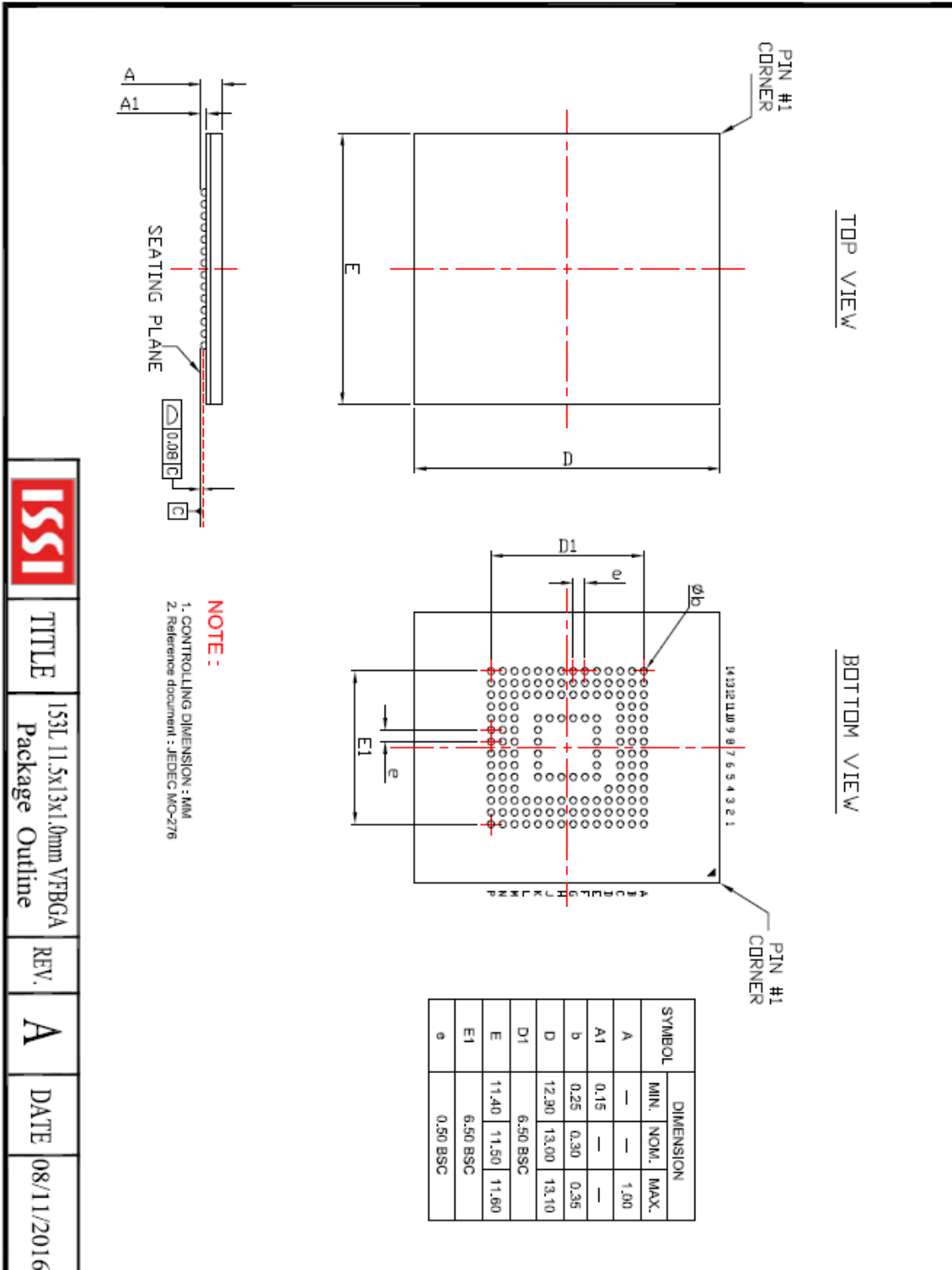
9. PACKAGE TYPE INFORMATION

9.1 100-ball FBGA Package (Q)

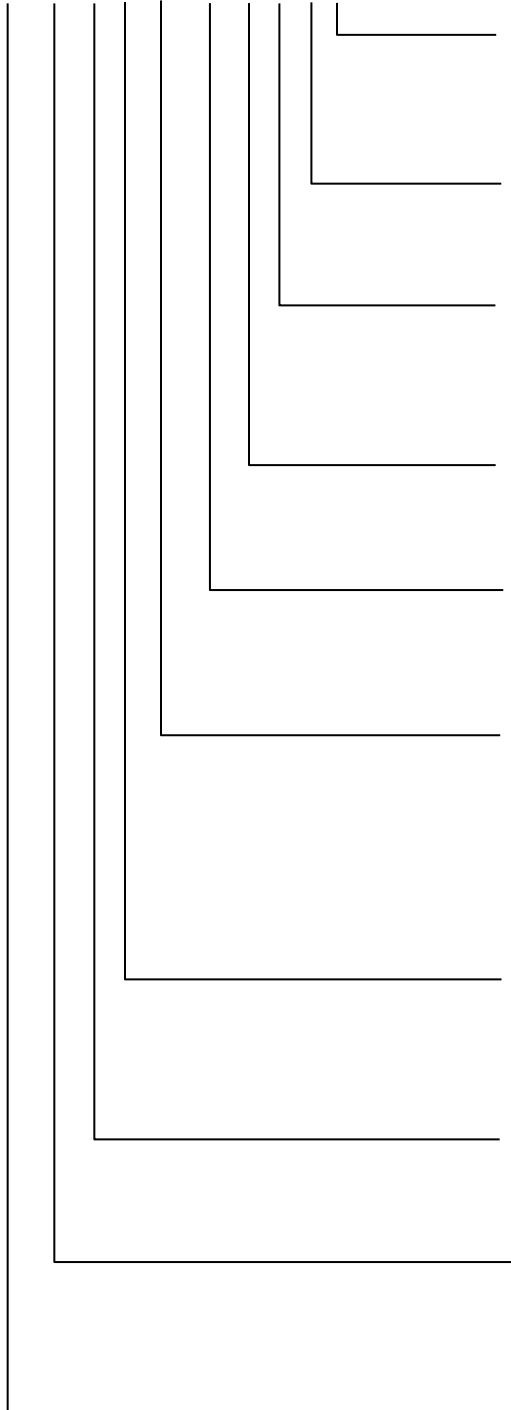


| | | | | | | |
|--|-------|--|------|---|------|------------|
| | TITLE | 100L 14x18x1.4mm LFBGA Package Outline | REV. | A | DATE | 08/11/2016 |
|--|-------|--|------|---|------|------------|

9.2 153-BALL FBGA Package (C)



| | | | | | |
|--|--|------|---|------|------------|
| | TITLE | REV. | A | DATE | 08/11/2016 |
| | 153L 11.5x13x1.0mm VFBGA Package Outline | | | | |

10. ORDERING INFORMATION – Valid Part Numbers
IS 21 E S 16G _ - J Q L I

TEMPERATURE RANGE

I = Industrial (-40°C to +85°C)
 A1 = Automotive Grade (-40°C to +85°C)

PACKAGING CONTENT

L = RoHS compliant

PACKAGE Type

C = 153-ball FBGA
 Q = 100-ball FBGA

OPTION

J = Standard (Boot Partition Size: 4MB)
 B = Boot Partition Size: 16MB

Generation.

Blank = 1st Gen.

eMMC Density

16G = 16 GB

INTERFACE

S = eMMC 5.0
 F = eMMC 5.1

Technology

E = ISSI eMMC with MLC NAND

Product Family

21 = Managed NAND
 22 = Automotive Managed NAND

BASE PART NUMBER

IS = Integrated Silicon Solution Inc.

| Density | Interface | NAND Flash | Package | Temp. Grade | Order Part Number |
|---------|-----------|------------|----------|-------------------------------|-------------------|
| 16GB | eMMC 5.0 | 128Gbx1 | 100 FBGA | I-Temp. | IS21ES16G-JQLI |
| | | | | | IS21ES16G-BQLI |
| | | | | Automotive, A1 ⁽¹⁾ | IS22ES16G-JQLA1 |
| | | | | | IS22ES16G-BQLA1 |
| | | | 153 FBGA | I-Temp. | IS21ES16G-JCLI |
| | | | | | IS22ES16G-BCLI |
| | | | | Automotive, A1 ⁽¹⁾ | IS22ES16G-JCLA1 |
| | | | | | IS22ES16G-BCLA1 |

Note:

1. A1: Meets AEC-Q100 requirements with PPAP.